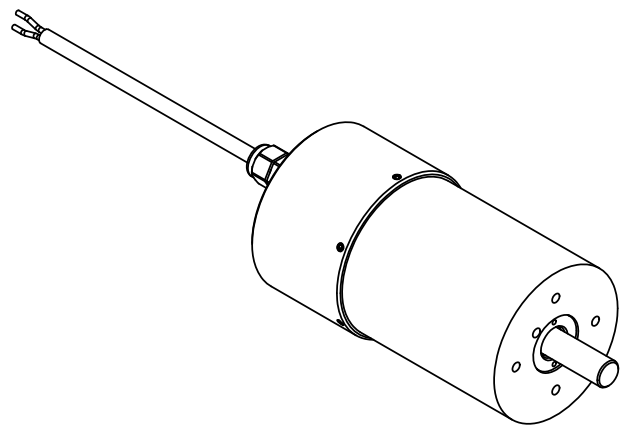
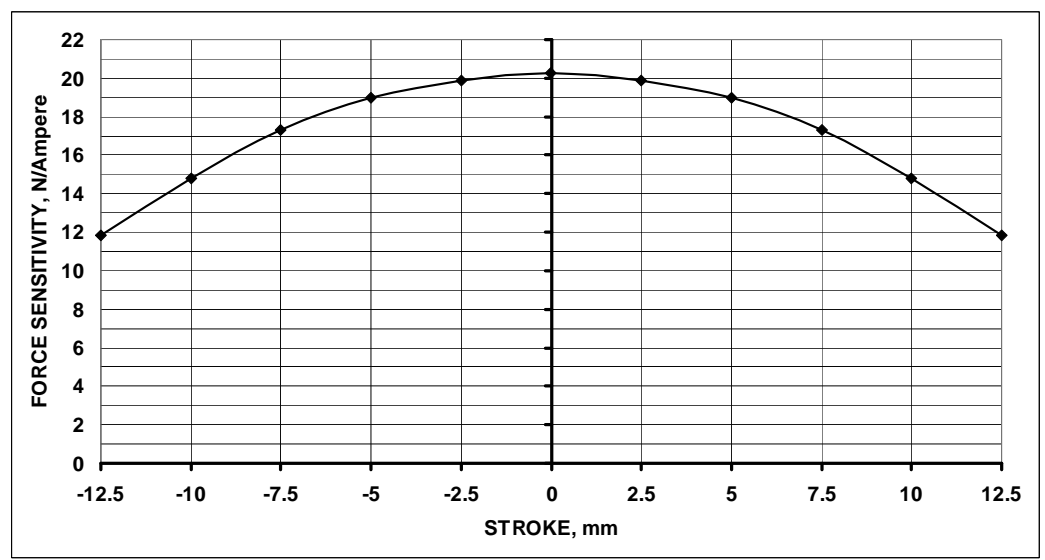


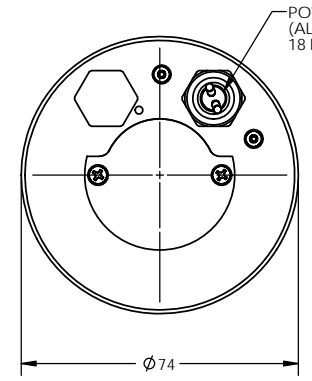
LTR	ECO NO.	DESCRIPTION	DRN	APP'D	DATE
X1	140007	INITIAL RELEASE	RG	MG	01/13/14

Winding Constants *	Units	Tol	Symbol	Wdg	A
DC Resistance	Ohms	± 12.5%	R	2.4	
Voltage @ F _P	Volts	Nominal	V _P	31.6	
Current @ F _P	Amps	Nominal	I _P	13.16	
Force Sensitivity	N/Amp	± 10%	K _F	20.28	
	LB/Amp	± 10%		4.56	
Back EMF Constant	V/(m/sec)	± 10%	K _B	20.28	
	V/(ft/sec)	± 10%		6.18	
Inductance ****	milli-henry	± 30%	L	3.15	

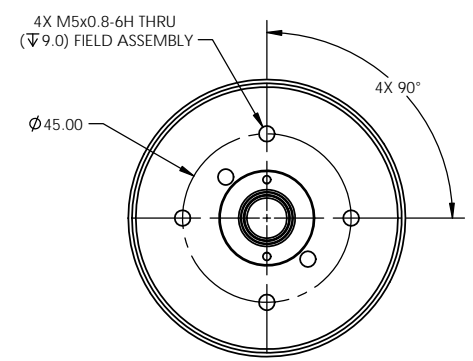
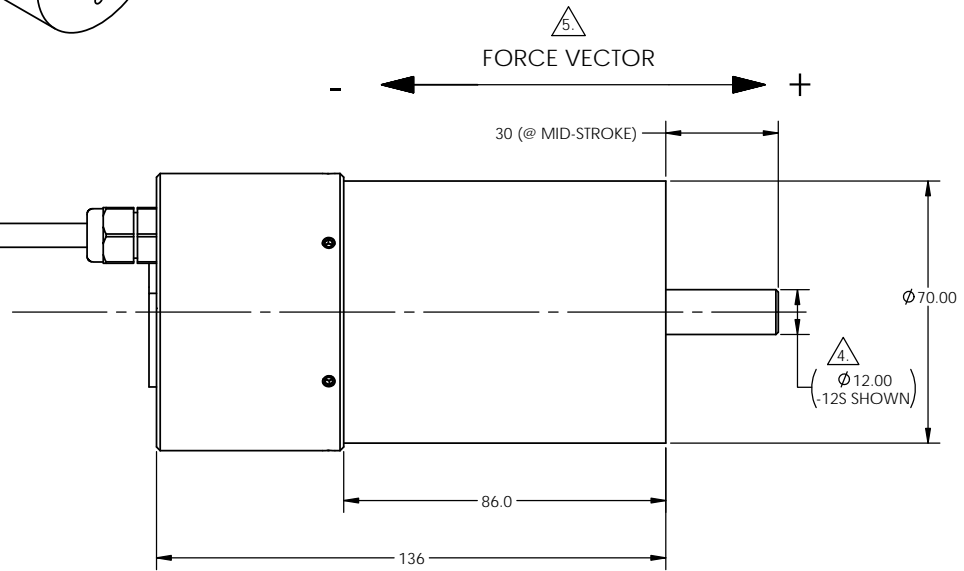
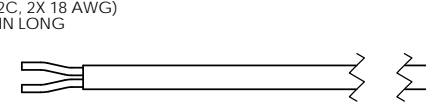
Linear Actuator Parameters *	Units	Symbol	Value
Peak Force **	N	F _P	266.9
	LB		60
Continuous Stall Force ***	N	F _{CS}	60.1
	LB		13.5
Actuator Constant	N/√Watt	K _A	13.09
	LB/√Watt		2.94
Electrical Time Constant	milli-sec	τ _E	1.31
Mechanical Time Constant	milli-sec	τ _M	4.4
Theoretical Acceleration	m/sec ²	α _T	353.5
	ft/sec ²		1159.8
Max Theoretical Frequency @ Full Stroke & Sinusoidal/Triangular Motion	Hz	f _{max}	26.8/29.7
Power I ² R @ F _P	Watts	P _P	416
Stroke:	± mm		12.5
	± in		0.492
Clearance on Each side of Coil	mm		1.51
	in		0.02
Thermal Resistance of Coil	°C/Watt	θ _{TH}	4.11
Maximum Allowable Coil Winding Temp	°C	Temp	155
Weight of Coil Assembly	Kg	WT _C	0.755
	LB		1.66
Total Weight	Kg	WT _T	2.4
	LB		5.29



* AT MID-STROKE POSITION AND @ 25 °C AMBIENT TEMPERATURE
 ** 10 SECONDS @ 25 °C AMBIENT & 155 °C COIL TEMPERATURE
 *** @25 °C AMBIENT & 155 °C COIL TEMPERATURE
 **** MEASURED AT 1000 Hz.



POWER CABLE ASSEMBLY
 (ALPHA WIRE: P/N 5162C, 2X 18 AWG)
 18 INCHES [457mm] MIN LONG



(DASH)	SHAFT END CONFIGURATION
-12S	12mm Diameter
-12I	12mm Diameter, Internal Thread M8x1.25 X 16 mm Deep
-12E	12mm Diameter, External Thread M12x1.75 X 16mm Long

5 A POSITIVE (+) VOLTAGE APPLIED TO RED LEAD ON THE POWER CABLE ASSEMBLY WILL PRODUCE A FORCE ON THE COIL ASSEMBLY IN THE POSITIVE (+) DIRECTION.

4 -12S SHAFT CONFIGURATION SHOWN.

- ALL ABBREVIATIONS IAW ASME Y14.38.
- INTERPRET DRAWING IAW ASME Y14.100.
- INTERPRET DIMENSIONING AND TOLERANCING IAW ASME Y14.5M-1994.

NOTES: UNLESS OTHERWISE SPECIFIED

THESE COMMODITIES, TECHNOLOGY OR SOFTWARE IF EXPORTED FROM THE UNITED STATES SHALL BE IN ACCORDANCE WITH THE EXPORT ADMINISTRATION REGULATIONS. DIVERSION CONTRARY TO U.S. LAW IS PROHIBITED.

Proprietary rights of BEI Kimco are involved in the subject matter of this material and all manufacturing, reproduction, use, and sales pertaining to such subject matter are expressly reserved. This confidential and proprietary document is submitted for a specified purpose, and the recipient by accepting this material agrees that this material will not be used, copied, or reproduced in whole or in part nor its contents revealed in any manner or to any person except to meet the purpose for which it was delivered.

THIRD ANGLE PROJECTION

UNLESS OTHERWISE SPECIFIED:
 -ALL DIMENSIONS ARE IN MILLIMETERS
 -BREAK SHARP EDGES 0.4 MAX
 -SURFACE ROUGHNESS 1.6
 -DIMENSIONS APPLY AFTER FINISH
 -MAX FILLET R0.25
 -DIAMETERS SHALL NOT EXCEED A RUNOUT OF 0.13 FIM

TOLERANCES:
 DECIMALS ANGULAR
 X ±0.8 ±0°30'
 XX ±0.25
 XXX ±0.13
 DO NOT SCALE DRAWING

METRIC DRAWING

BEI KIMCO MAGNETICS DIVISION
 VISTA, CA 92081

DRAWN GUERRERO	DATE 01/09/14	TITLE LINEAR ACTUATOR HOUSED		
MECH CHECK MCGHEE	01/10/14	SIZE D	FSCM NO. 55789	DWG NO. LAH28-53-000A-DASH
APPD GODKIN	01/13/14	SCALE 1/1	REV X1	SHEET 1 OF 1
FILE NO. L\TOP LEVEL\LAH\				



LAH28-53-000A-DASH