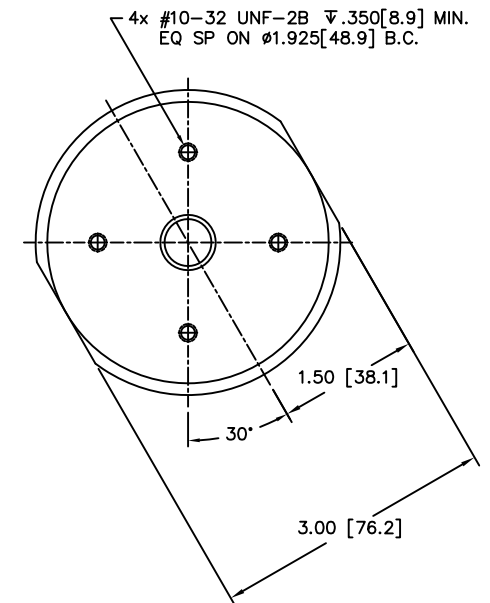
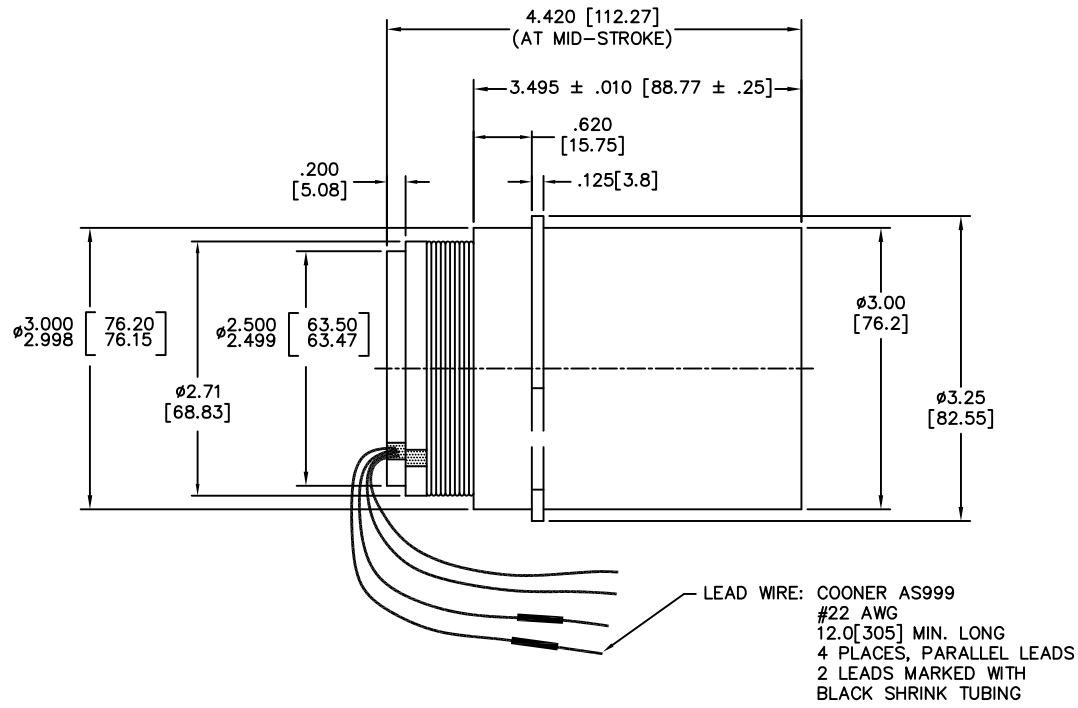
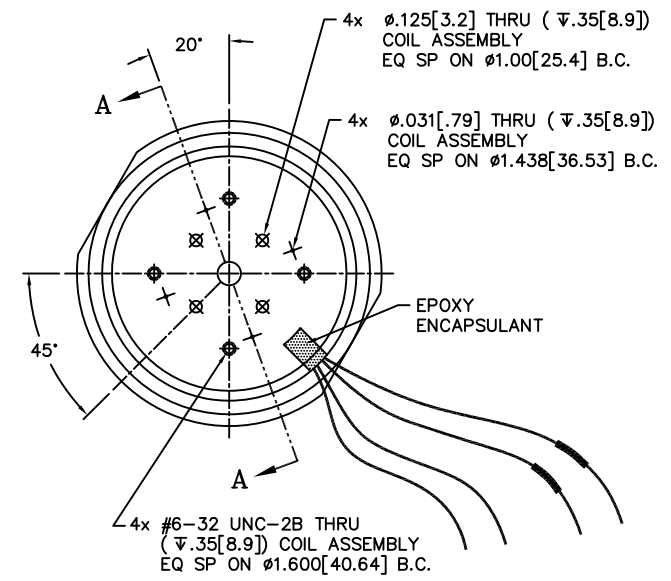
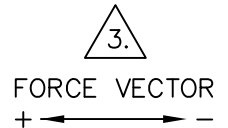
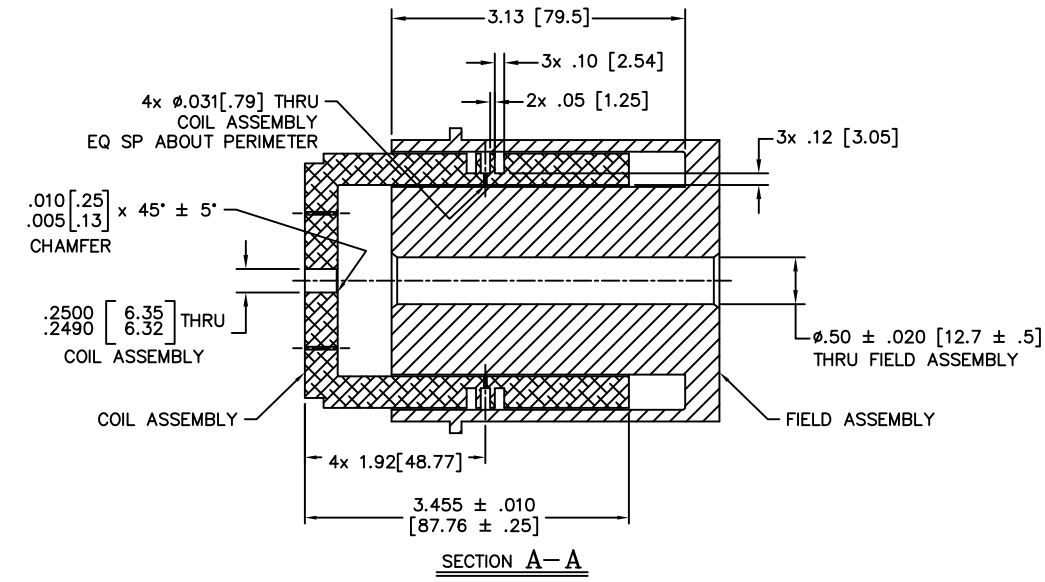


WINDING CONSTANTS *	UNITS	TOL	SYMBOL	WDG A
DC RESISTANCE	OHMS	±12.5%	R	2.6
VOLTAGE @ F <sub>p</sub>	VOLTS	NOMINAL	V <sub>p</sub>	33.0
CURRENT @ F <sub>p</sub>	AMPERES	NOMINAL	I <sub>p</sub>	12.7
FORCE SENSITIVITY	LB/AMP	±10%	K <sub>F</sub>	7.9
	N/AMP	±10%		35.14
BACK EMF CONSTANT	V/FT/SEC	±10%	K <sub>B</sub>	10.71
	V/M/SEC	±10%		35.14
INDUCTANCE ****	MILLI-HENRY	±30%	L	2.9

REVISIONS						
ZONE	REV	DCN NO.	DESCRIPTION	INITIALS	DATE	APPROVED
C	045018		MATCH DWG. REV. TO AVANTE	JJC	10/20/04	MG
D	060277		ADD RoHS LOGO	SLM	04/03/06	MG
E	070163		UPDATE PARAMETERS	SLM	03/14/07	MG

ACTUATOR PARAMETERS *	UNITS	SYMBOL	VALUE
PEAK FORCE **	LB	F <sub>p</sub>	100
	N		445
CONTINUOUS STALL FORCE ***	LB	F <sub>cs</sub>	41.6
	N		185.0
ACTUATOR CONSTANT	LB/√WATT	K <sub>A</sub>	4.9
	N/√WATT		21.8
ELECTRICAL TIME CONSTANT	MILLI-SEC	τ <sub>E</sub>	1.12
MECHANICAL TIME CONSTANT	MILLI-SEC	τ <sub>M</sub>	1.53
POWER I <sup>2</sup> R @ F <sub>p</sub>	WATTS	P <sub>p</sub>	419
STROKE	± INCHES		0.500
	± MM		12.7
CLEARANCE ON EACH SIDE OF COIL	IN		0.02
	MM		0.51
THERMAL RESISTANCE OF COIL	°C/WATT	θ <sub>TH</sub>	1.2
MAX. ALLOWABLE COIL TEMP.	°C	TEMP	155
WEIGHT OF COIL ASSEMBLY	LB	WT <sub>C</sub>	1.60
	G		726
WEIGHT OF FIELD ASSEMBLY	LB	WT <sub>F</sub>	4.17
	KG		1.9

\* AT MID-STROKE & 25° AMBIENT TEMPERATURE  
 \*\* 10 SECONDS AT 25°C AMBIENT & 155°C COIL TEMPERATURE  
 \*\*\* 25°C AMBIENT & 155°C WINDING TEMPERATURE  
 \*\*\*\* MEASURED AT 1000 Hz



- MECHANICAL OVERTRAVEL IN THE NEGATIVE (-) DIRECTION IS .050 [1.27] MINIMUM.
  - INSULATION RESISTANCE IS 100 MEGOHMS MINIMUM AT 500 VDC.
  - A POSITIVE (+) VOLTAGE APPLIED TO THE MARKED LEADS WILL PRODUCE A FORCE ON THE COIL ASSEMBLY IN THE POSITIVE (+) DIRECTION.
  - DIMENSION IN BRACKETS ARE MILLIMETERS [MM] AND ARE FOR REFERENCE ONLY.
  - INTERPRET DIMENSIONS & TOLERANCES PER ASME Y14.5M-1994.
- NOTES: UNLESS OTHERWISE SPECIFIED

THESE COMMODITIES, TECHNOLOGY OR SOFTWARE IF EXPORTED FROM THE UNITED STATES SHALL BE IN ACCORDANCE WITH THE EXPORT ADMINISTRATION REGULATIONS. DIVERSION CONTRARY TO U.S. LAW IS PROHIBITED.

THIRD ANGLE PROJECTION

UNLESS OTHERWISE SPECIFIED:  
 -ALL DIMENSIONS ARE IN INCHES  
 -DIMENSIONS ARE AFTER FINISH  
 DO NOT SCALE DRAWING

TOLERANCES:  
 DECIMALS ANGULAR  
 .X ± 0.03 ± 0°30'  
 .XX ± 0.01  
 .XXX ± 0.005

**BEI KIMCO MAGNETICS DIVISION**  
 VISTA, CA 92081

APPROVALS: DRAWN N. FRENCH 5/22/98, CHECKED GUERRERO 12/20/04, APPROVED A. MORCOS 5/22/98

TITLE: LINEAR ACTUATOR

SIZE: FSCM NO. 55789, DRAWING NO. LA30-43-000A, REV E

SCALE: 1/1, SHEET 1 OF 1

