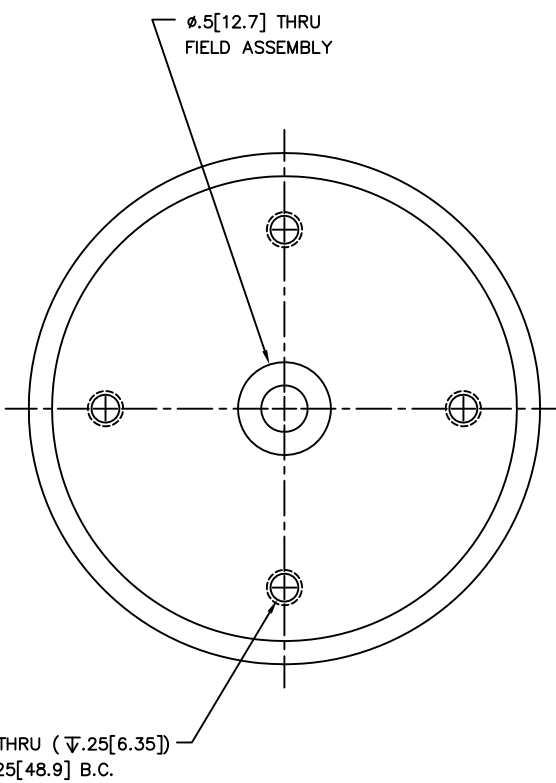
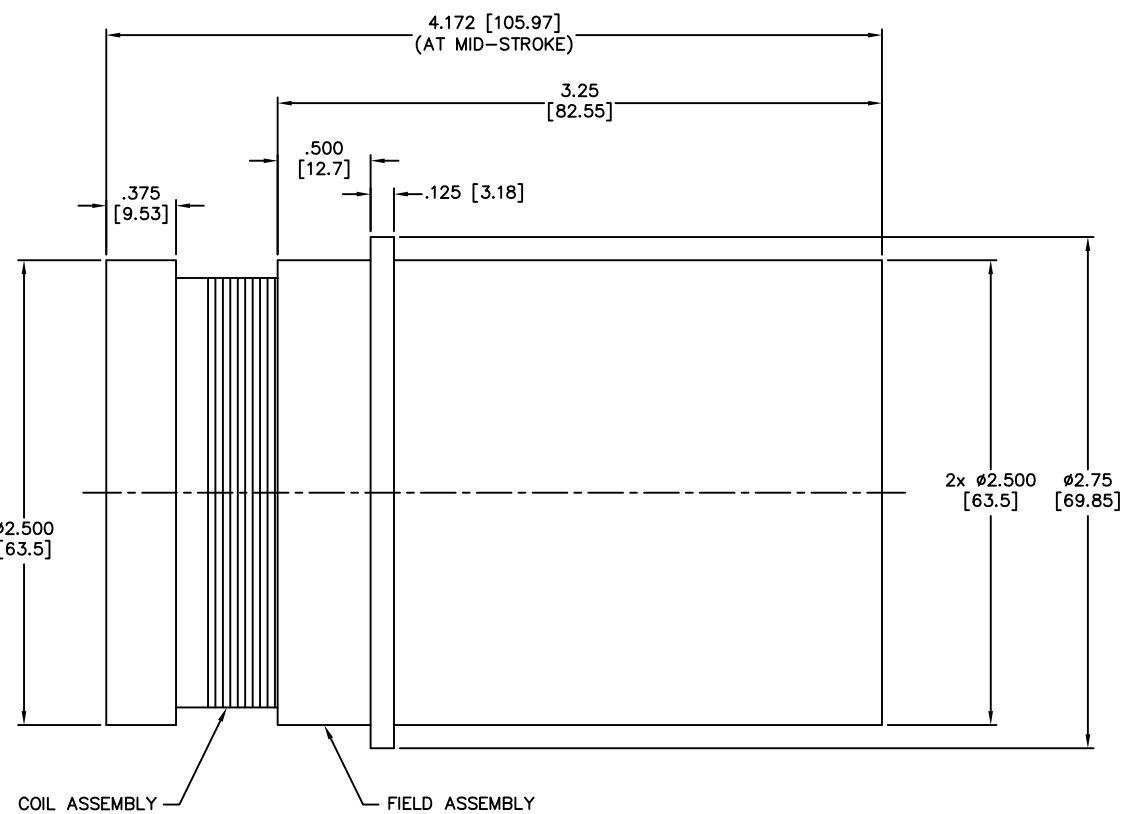
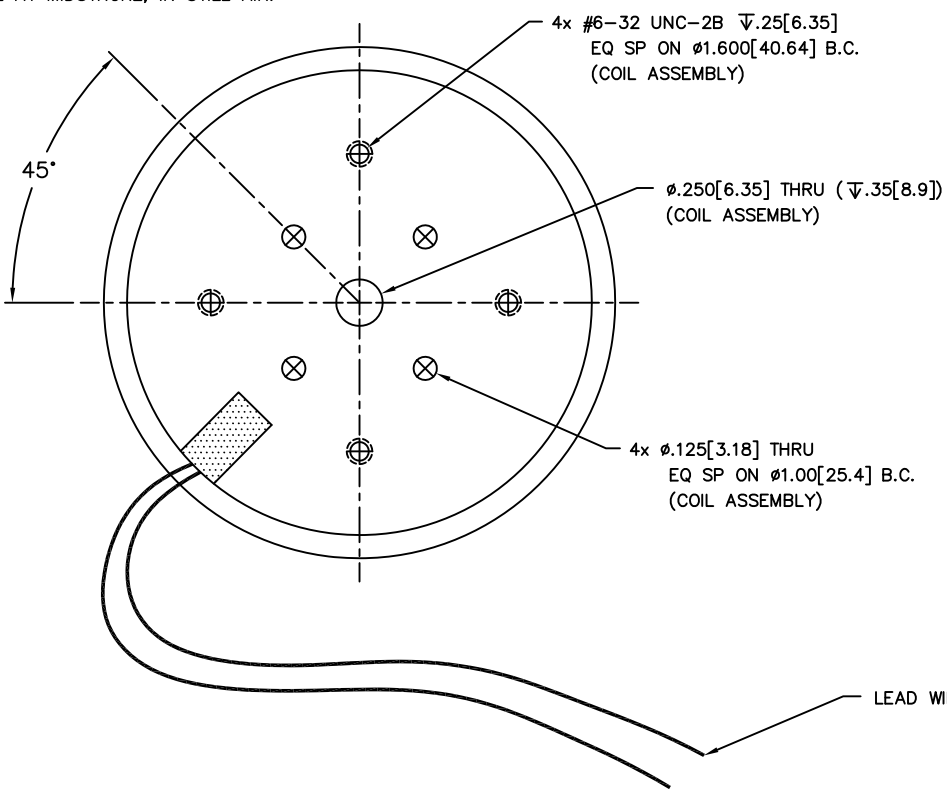
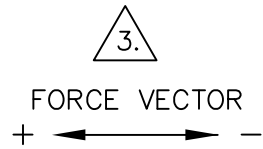


WINDING CONSTANTS *	UNITS	TOL	SYMBOL	WDG A
DC RESISTANCE	OHMS	±12.5%	R	2.4
VOLTAGE @ F _P	VOLTS	NOMINAL	V _P	30.0
CURRENT @ F _P	AMPERES	NOMINAL	I _P	12.5
FORCE SENSITIVITY	LB/AMP	±10%	K _F	4.8
	N/AMP	±10%		21.35
BACK EMF CONSTANT	V/FT/SEC	±10%	K _B	6.51
	V/M/SEC	±10%		21.36
INDUCTANCE ****	MILLI-HENRY	±30%	L	2.5

LTR	ECO NO.	DESCRIPTION	DRN	APP'D	DATE
F	044901	CHG LEAD WIRE TYPE UPDATE REV LEVEL	RG	MG	10/29/02
G	060341	UPDATE DRAWING ADDING Rohs LOGO	RG	MG	04/21/06
H	070200	CORRECT WEIGHT FOR COIL ASSEMBLY	JWT	MG	03/23/07

ACTUATOR PARAMETERS *	UNITS	SYMBOL	VALUE
PEAK FORCE **	LB	F _P	60
	N		266.89
CONTINUOUS STALL FORCE ***	LB	F _{CS}	19.4
	N		86.30
ACTUATOR CONSTANT	LB/√WATT	K _A	3.10
	N/√WATT		13.79
ELECTRICAL TIME CONSTANT	MILLI-SEC	τ _E	1.04
MECHANICAL TIME CONSTANT	MILLI-SEC	τ _M	2.86
POWER I ² R @ F _P	WATTS	P _P	375
STROKE	± INCHES		0.500
	± MM		12.7
CLEARANCE ON EACH SIDE OF COIL	IN		0.02
	MM		1.51
THERMAL RESISTANCE OF COIL *****	°C/WATT	θ _{TH}	2.2
MAX. ALLOWABLE COIL TEMP.	°C	TEMP	155
WEIGHT OF COIL ASSEMBLY	LB	WT _C	1.20
	KG		0.54
WEIGHT OF FIELD ASSEMBLY	LB	WT _F	2.16
	KG		0.98

* AT MID-STROKE & 25°C AMBIENT TEMPERATURE
 ** 10 SECONDS AT 25°C AMBIENT & 155°C COIL TEMPERATURE
 *** 25°C AMBIENT & 155°C COIL TEMPERATURE
 **** MEASURED AT 1000 Hz
 ***** ACTUATOR MOUNTED ON TEST FIXTURE, COIL AT MIDSTROKE, IN STILL AIR.



LEAD WIRE: COONER WIRE: NEF18-41344
 #18 AWG
 12.0[305] MIN LONG
 2 PL
 (RED, BLK)

- MECHANICAL OVERTRAVEL OF COIL IN NEGATIVE (-) DIRECTION IS .047[1.19] MINIMUM.
- INSULATION RESISTANCE IS 1,000 MEG OHMS AT 500V DC.
- A POSITIVE (+) VOLTAGE APPLIED TO THE RED LEAD WILL PRODUCE A FORCE ON THE COIL ASSEMBLY IN THE POSITIVE (+) DIRECTION.
- DIMENSION IN BRACKETS ARE MILLIMETERS [MM] AND ARE FOR REFERENCE ONLY.
- INTERPRET DIMENSIONS & TOLERANCES PER ANSI Y14.5M-1982.

NOTES: UNLESS OTHERWISE SPECIFIED

THESE COMMODITIES, TECHNOLOGY OR SOFTWARE IF EXPORTED FROM THE UNITED STATES SHALL BE IN ACCORDANCE WITH THE EXPORT ADMINISTRATION REGULATIONS. DIVERSION CONTRARY TO U.S. LAW IS PROHIBITED.

Proprietary rights of BEI Kimco are involved in the subject matter of this material and all manufacturing, reproduction, use, and sales pertaining to such subject matter are expressly reserved. This confidential and proprietary document is submitted for a specified purpose, and the recipient by accepting this material agrees that this material will not be copied, or reproduced in whole or in part nor its contents revealed in any manner or to any person except to meet the purpose for which it was delivered.

THIRD ANGLE PROJECTION
 UNLESS OTHERWISE SPECIFIED:
 -ALL DIMENSIONS ARE IN UNITS
 -BREAK SHARP EDGES 0.15 MAX.
 -SURFACE ROUGHNESS √63
 -DIMENSIONS APPLY AFTER FINISH
 -MAX FILLET R FILLET
 TOLERANCES:
 DECIMALS ANGULAR
 .X ± .03 30° 30'
 .XX ± .01
 .XXX ± .005
 DO NOT SCALE DRAWING

BEI KIMCO MAGNETICS DIVISION
 VISTA, CA 92081

DRAWN: ELLIOTT DATE: 07/27/94
 MECH CHECK: S. HSIA DATE: 11/29/04
 APPD: A. MORCOS DATE: 07/27/94
 FILE NO.: P\TOP\LA\

TITLE: LINEAR ACTUATOR

SIZE: D FSCM NO.: 55789 DWG NO.: LA25-42-000A REV: H
 SCALE: 2/1 SHEET: 1 OF 1

