

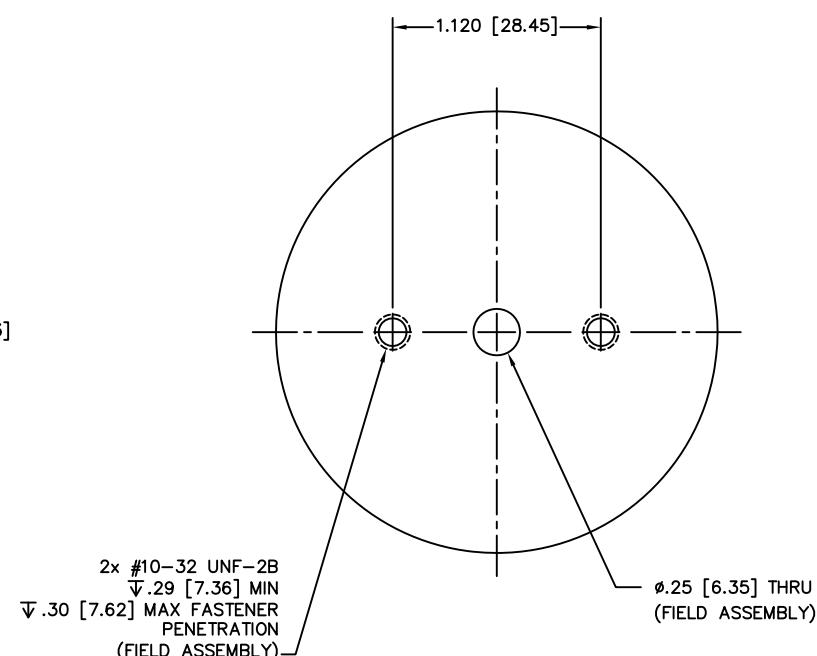
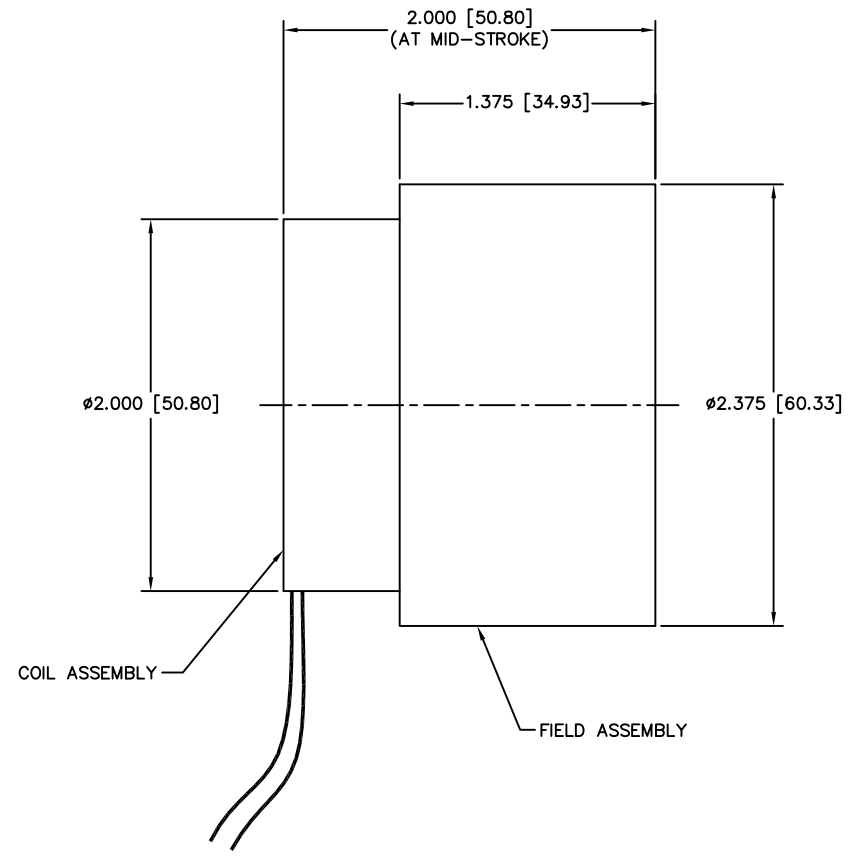
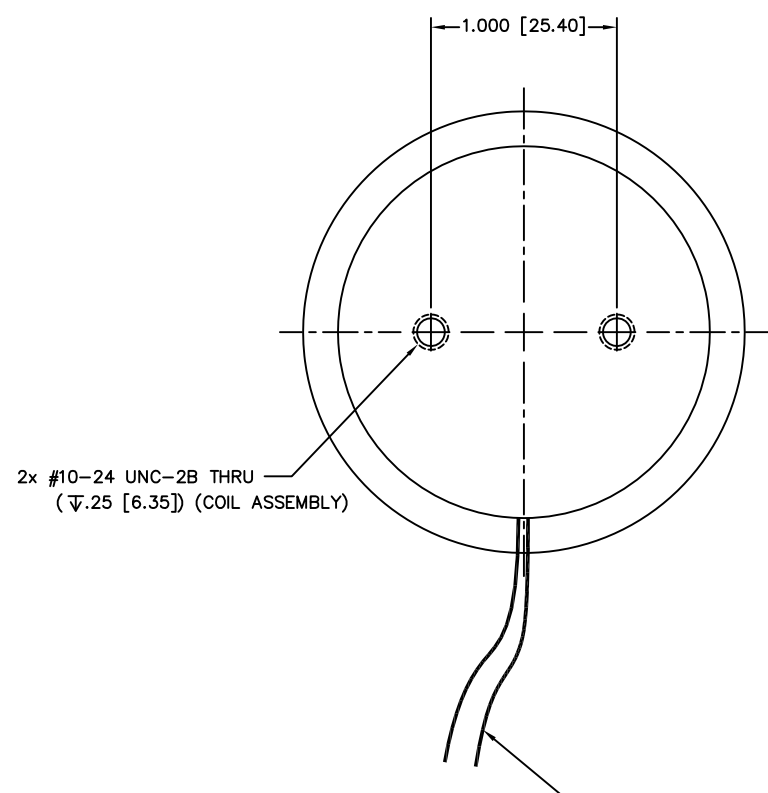
WINDING CONSTANTS *	UNITS	TOL	SYMBOL	WDG A
DC RESISTANCE	OHMS	±12.5%	R	2.2
VOLTAGE @ F <sub>P</sub>	VOLTS	NOMINAL	V <sub>P</sub>	22.0
CURRENT @ F <sub>P</sub>	AMPERES	NOMINAL	I <sub>P</sub>	10.0
FORCE SENSITIVITY	LB/AMP	±10%	K <sub>F</sub>	2.5
	N/AMP	±10%		11.12
BACK EMF CONSTANT	V/FT/SEC	±10%	K <sub>B</sub>	3.4
	V/M/SEC	±10%		11.15
INDUCTANCE ****	MILLI-HENRY	±30%	L	2.05

LTR	ECO NO.	DESCRIPTION	DRN	APP'D	DATE
D	050301	CHANGE MILL-SEC TO MICRO-SEC	JJC	MG	04/19/05
E	080046	ADDED RoHS LOGO	RG	MG	04/09/08
F	080293	UPDATE STALL FORCE & THERMAL RESIS.	SLM	MG	07/28/08

ACTUATOR PARAMETERS *	UNITS	SYMBOL	VALUE
PEAK FORCE **	LB	F <sub>P</sub>	25
	N		111.21
CONTINUOUS STALL FORCE ***	LB	F <sub>CS</sub>	5.9
	N		26.3
ACTUATOR CONSTANT	LB/√WATT	K <sub>A</sub>	1.69
	N/√WATT		7.52
ELECTRICAL TIME CONSTANT	MICRO-SEC	τ <sub>E</sub>	932
MECHANICAL TIME CONSTANT	MILLI-SEC	τ <sub>M</sub>	2.9
POWER I <sup>2</sup> R @ F <sub>P</sub>	WATTS	P <sub>P</sub>	220
STROKE	± INCHES		0.325
	± MM		8.26
CLEARANCE ON EACH SIDE OF COIL	IN		0.015
	MM		0.38
THERMAL RESISTANCE OF COIL	°C/WATT	θ <sub>TH</sub>	7.1
MAX. ALLOWABLE COIL TEMP.	°C	TEMP	155
WEIGHT OF COIL ASSEMBLY	LB	WT <sub>C</sub>	0.365
	KG		0.17
WEIGHT OF FIELD ASSEMBLY	LB	WT <sub>F</sub>	1.25
	KG		0.57



\* AT MID-STROKE & 25°C AMBIENT TEMPERATURE  
 \*\* 10 SECONDS AT 25°C AMBIENT & 155°C COIL TEMPERATURE  
 \*\*\* 25°C AMBIENT & 155°C COIL TEMPERATURE  
 \*\*\*\* MEASURED AT 1000 Hz



LEAD WIRE: TEFLON TYPE E INS  
 #20 AWG  
 12.0 [305] MIN LONG  
 2 PL  
 (RED, BLK)

- 4. MECHANICAL OVERTRAVEL IN THE POSITIVE (+) DIRECTION IS .015 [.38] MIN.
  - 3. A POSITIVE (+) VOLTAGE APPLIED TO THE RED LEAD WILL PRODUCE A FORCE ON THE COIL ASSEMBLY IN THE POSITIVE (+) DIRECTION.
  - 2. DIMENSION IN BRACKETS ARE MILLIMETERS [MM] AND ARE FOR REFERENCE ONLY.
  - 1. INTERPRET DIMENSIONS & TOLERANCES IAW ASME Y14.5M-1994.
- NOTES: UNLESS OTHERWISE SPECIFIED

THESE COMMODITIES, TECHNOLOGY OR SOFTWARE IF EXPORTED FROM THE UNITED STATES SHALL BE IN ACCORDANCE WITH THE EXPORT ADMINISTRATION REGULATIONS. DIVERSION CONTRARY TO U.S. LAW IS PROHIBITED.		<b>THIRD ANGLE PROJECTION</b>		<b>BEI KIMCO MAGNETICS DIVISION</b> VISTA, CA 92081	
PROPRIETARY RIGHTS OF BEI KIMCO ARE INVOLVED IN THE SUBJECT MATTER OF THIS MATERIAL AND ALL MANUFACTURING, REPRODUCTION, USE, AND SALES PERTAINING TO SUCH SUBJECT MATTER ARE EXPRESSLY RESERVED. THIS CONFIDENTIAL AND PROPRIETARY DOCUMENT IS SUBMITTED FOR A SPECIFIED PURPOSE, AND THE RECIPIENT BY ACCEPTING THIS MATERIAL AGREES THAT THIS MATERIAL WILL NOT BE USED, COPIED, OR REPRODUCED IN WHOLE OR IN PART NOR ITS CONTENTS REVEALED IN ANY MANNER OR TO ANY PERSON EXCEPT TO MEET THE PURPOSE FOR WHICH IT WAS DELIVERED.		UNLESS OTHERWISE SPECIFIED: -ALL DIMENSIONS ARE IN UNITS -BREAK SHARP EDGES 0.15 MAX. -SURFACE ROUGHNESS √63 -DIMENSIONS APPLY AFTER FINISH -MAX FILLET R FILLET		DRAWN: N. FRENCH DATE: 4/6/98 MECH CHECK: PHIL STAHL DATE: 12/3/04 APPD: A. MARCOS DATE: 4/6/98	
TOLERANCES: DECIMALS: .X ± .03 .XX ± .01 .XXX ± .005 DO NOT SCALE DRAWING		TITLE: LINEAR ACTUATOR		SIZE: D FSCM NO.: 55789 DWG NO.: LA24-20-000A REV: F SCALE: 2/1 SHEET: 1 OF 1	

LA24-20-000A F