

4

3

2

LA23-55-000A

C

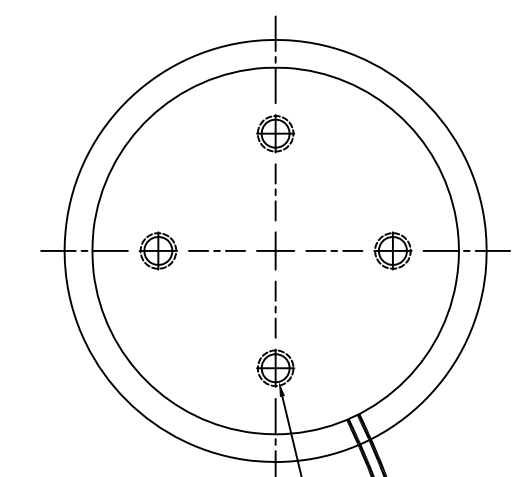
1

WINDING CONSTANTS *	UNITS	TOL	SYM	WDG A
DC RESISTANCE	OHMS	±12.5%	R	3.6
VOLTAGE @ F _P	VOLTS	NOMINAL	V _C	38.9
CURRENT @ F _P	AMPERES	NOMINAL	I _C	10.81
FORCE SENSITIVITY	LB/AMP	±10%	K _F	1.85
BACK EMF CONSTANT	VOLTS/(FT/SEC)	±10%	K _B	2.51
INDUCTANCE ****	MILLI-HENRY	±15%	L	3.6

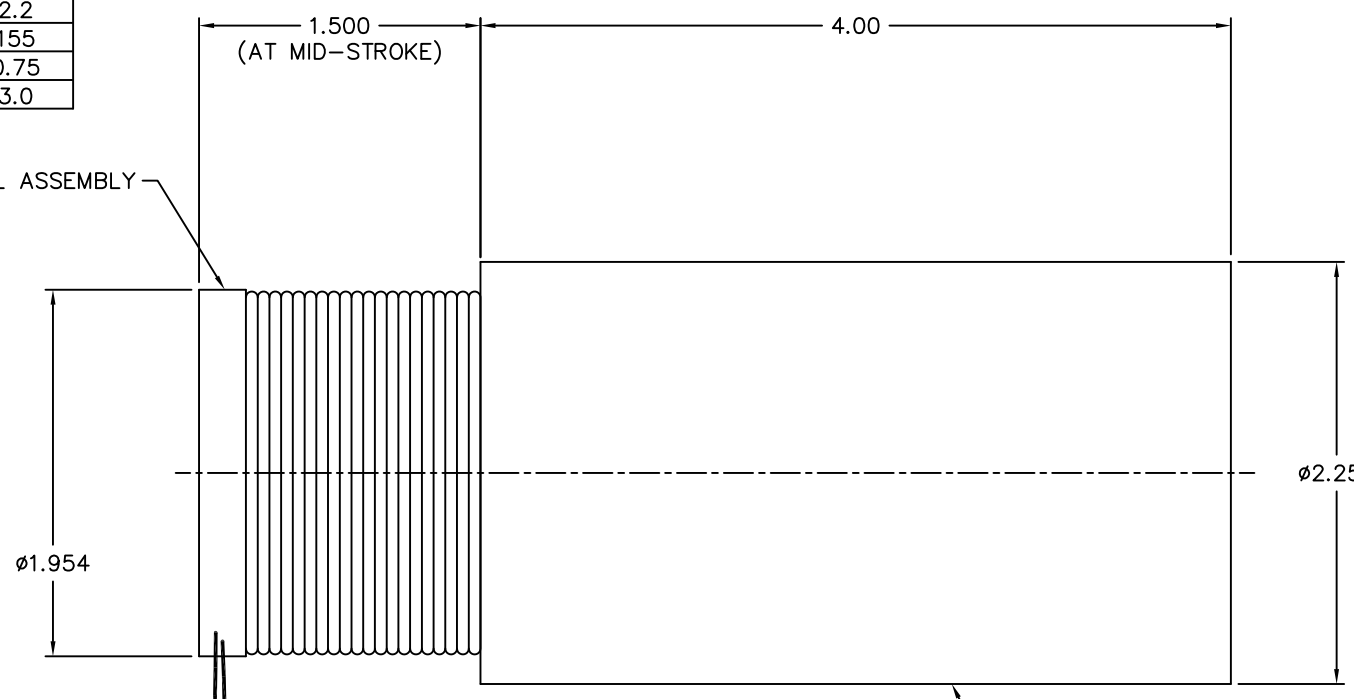
LTR	ECO NO.	DESCRIPTION	DRN	APP'D	DATE
B	050058	MATCH REV. TO AVANTE	JJC	M.G	1/26/05
C	130008	UPDATE FORMAT AND CURRENT REV LEVEL	RG	MG	01/11/13

LINEAR ACTUATOR PARAMETERS *	UNITS	SYM	NOM. VALUE
PEAK FORCE **	LB	F _P	20
CONTINUOUS STALL FORCE ***	LB	F _{CS}	6.1
ACTUATOR CONSTANT	LB/√WATT	K _A	0.975
ELECTRICAL TIME CONSTANT	MICRO-SEC	τ _E	1000
MECHANICAL TIME CONSTANT	MILLI-SEC	τ _M	18.1
POWER I ² R @ F _P	WATTS	P _P	421
STROKE	± IN		1.125
CLEARANCE ON EACH SIDE OF COIL	IN	—	0.015
THERMAL RESISTANCE OF COIL	°C/WATT	θ _{th}	2.2
MAX ALLOWABLE TEMP OF COIL	°C	TEMP	155
WEIGHT OF COIL ASSEMBLY	LB	WT _c	0.75
WEIGHT OF FIELD ASSEMBLY	LB	WT _f	3.0

* AT MID-STROKE & 25°C AMBIENT TEMPERATURE
 ** 10 SECONDS AT 25°C AMBIENT & 155°C COIL TEMPERATURE
 *** 25°C AMBIENT & 155°C COIL TEMPERATURE
 **** MEASURED AT 1000 Hz

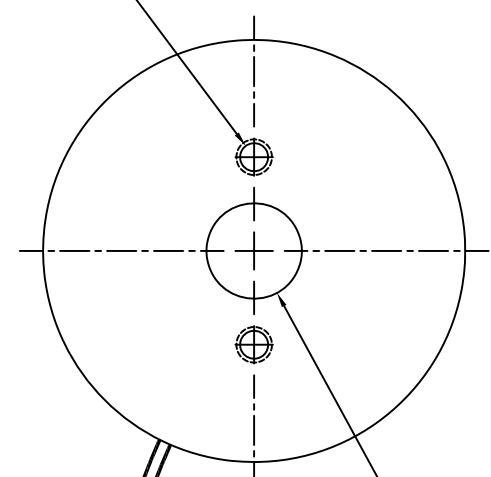


4x #10-24 UNC-2B THRU (∇.27) (COIL ASSEMBLY) EQ SP ON ∅1.250 B.C.



LEAD WIRE: TEFLON TYPE E #18 AWG 12.0 MIN LONG 2 PL (RED, BLACK)

2x #10-32 UNF-2B ∇48 MIN EQ SP ON ∅1.00 B.C.



∅.5 THRU FIELD ASSEMBLY

THESE COMMODITIES, TECHNOLOGY OR SOFTWARE IF EXPORTED FROM THE UNITED STATES SHALL BE IN ACCORDANCE WITH THE EXPORT ADMINISTRATION REGULATIONS. DIVERSION CONTRARY TO U.S. LAW IS PROHIBITED.

Proprietary rights of BEI Kimco are involved in the subject matter of this material and all manufacturing, reproduction, use, and sales pertaining to such subject matter are expressly reserved. This confidential and proprietary document is submitted for a specified purpose, and the recipient by accepting this material agrees that this material will not be used, copied, or reproduced in whole or in part nor its contents revealed in any manner or to any person except to meet the purpose for which it was delivered.

THIRD ANGLE PROJECTION

UNLESS OTHERWISE SPECIFIED:
 -ALL DIMENSIONS ARE IN INCHES
 -BREAK SHARP EDGES .015 MAX.
 -SURFACE ROUGHNESS √63
 -DIMENSIONS APPLY AFTER FINISH
 -MAX FILLET R .010

TOLERANCES:
 DECIMALS ANGULAR
 .X ± .03 ±0° 30'
 .XX ± .01
 .XXX ± .005

DO NOT SCALE DRAWING

BEI KIMCO MAGNETICS DIVISION
VISTA, CA 92081

DRAWN N. FRENCH	DATE 2/16/99	TITLE LINEAR ACTUATOR		
MECH CHECK PHIL STAHL	DATE 1/26/05	SIZE B	FSCM NO. 55789	DWG NO. LA23-55-000A
APPD A. MARCOS	DATE 2/17/99	SCALE 1/1	REV C	SHEET 1 OF 1
FILE NO. L:\TOP LEVEL\LA\....				

3. A POSITIVE (+) VOLTAGE APPLIED TO THE RED LEAD WILL PRODUCE A FORCE ON THE COIL ASSEMBLY IN THE POSITIVE (+) DIRECTION.
2. MECHANICAL OVERTRAVEL IN THE POSITIVE (+) DIRECTION IS .050 MINIMUM.
1. INTERPRET DIMENSIONS & TOLERANCES IAW ASME Y14.5M-1994.
- NOTES: UNLESS OTHERWISE SPECIFIED

D

D

C

C

B

B

A

A

4

3

2

1