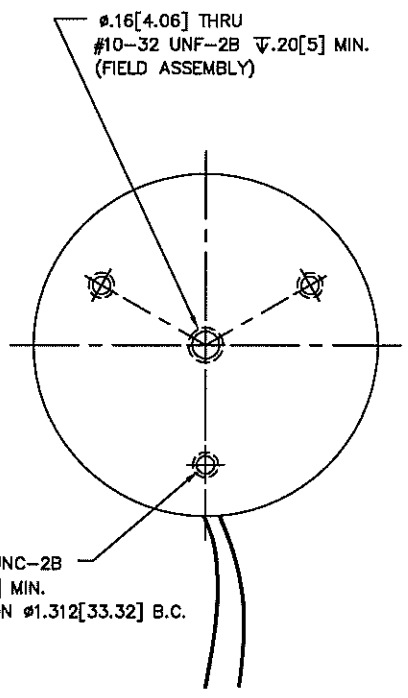
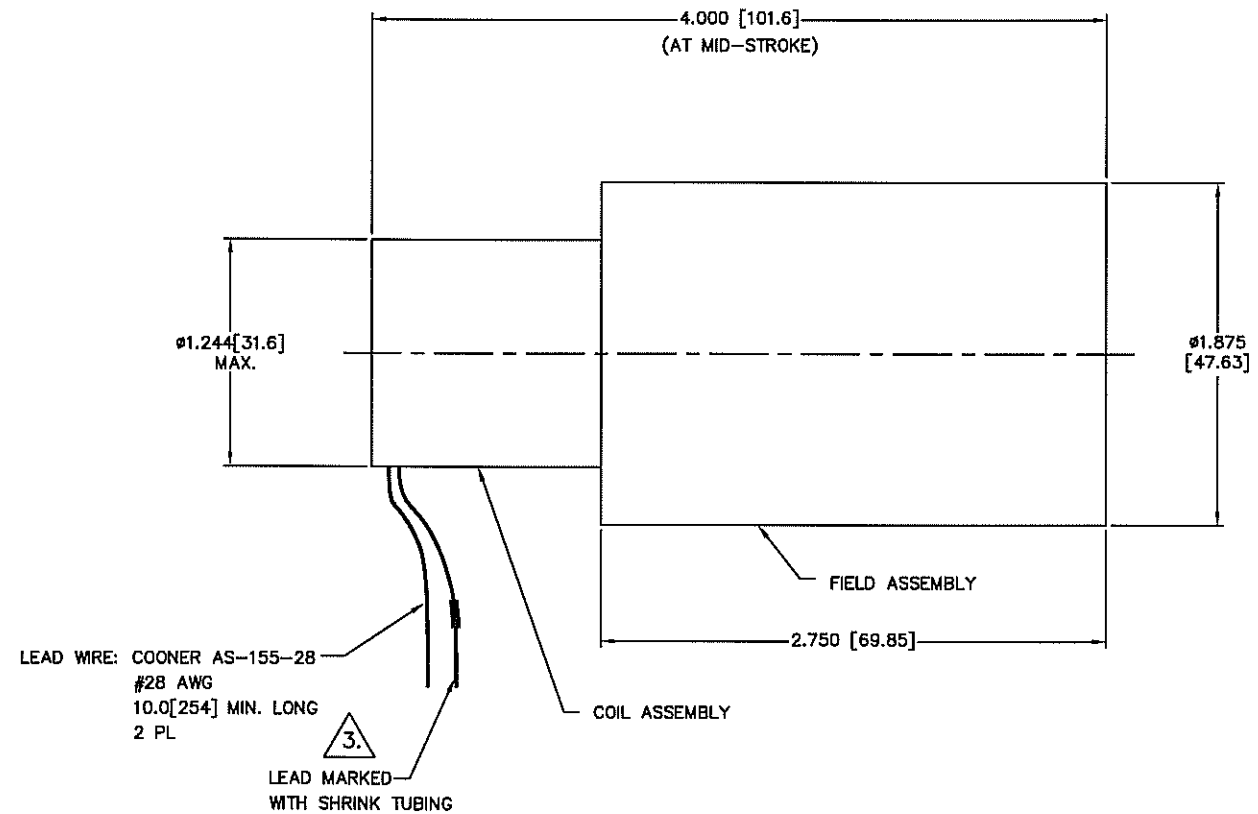
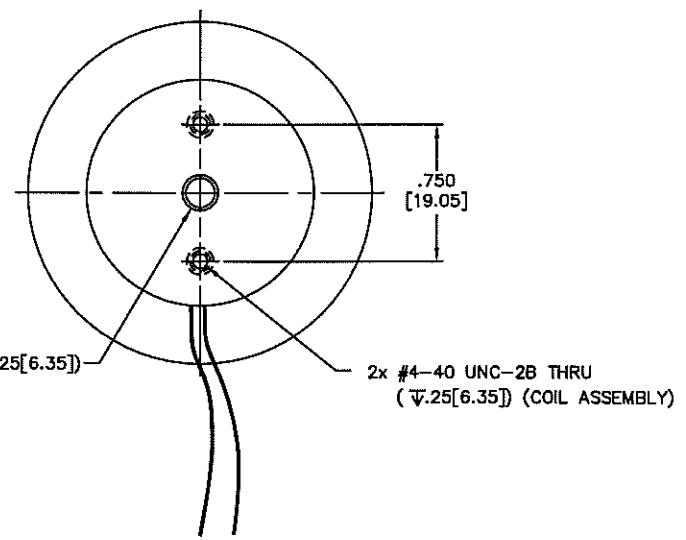


LTR	ECO NO.	DESCRIPTION	DRN	APP'D	DATE
C	045211	MATCH REV IN AVANTE	JJC	MG	12/23/04
D	070353	ADDED RoHS LOGO, UPDATE FORMAT	RG	B.D.	12/26/07

WINDING CONSTANTS *	UNITS	TOL	SYMBOL	WDG A
DC RESISTANCE	OHMS	±12.5%	R	2.85
VOLTAGE @ F _p	VOLTS	NOMINAL	V _p	15.8
CURRENT @ F _p	AMPERES	NOMINAL	I _p	5.56
FORCE SENSITIVITY	LB/AMP	±10%	K _F	0.90
	N/AMP	±10%		4.00
BACK EMF CONSTANT	V/FT/SEC	±10%	K _B	1.22
	V/M/SEC	±10%		4.00
INDUCTANCE ****	MILLI-HENRY	±30%	L	1.85

ACTUATOR PARAMETERS *	UNITS	SYMBOL	VALUE
PEAK FORCE **	LB	F _p	5.0
	N		22.24
CONTINUOUS STALL FORCE ***	LB	F _{CS}	1.92
	N		8.54
ACTUATOR CONSTANT	LB/√WATT	K _A	0.533
	N/√WATT		2.37
ELECTRICAL TIME CONSTANT	MILLI-SEC	T _E	0.650
MECHANICAL TIME CONSTANT	MILLI-SEC	T _M	6.1
POWER I ² R @ F _p	WATTS	P _p	88.0
STROKE	± INCHES		0.900
	± MM		22.86
CLEARANCE ON EACH SIDE OF COIL	IN		0.015
	MM		0.38
THERMAL RESISTANCE OF COIL	°C/WATT	θ _{TH}	6.7
MAX. ALLOWABLE COIL TEMP.	°C	TEMP	155
WEIGHT OF COIL ASSEMBLY	OZ	WT _C	1.22
	G		34.6
WEIGHT OF FIELD ASSEMBLY	OZ	WT _F	27.4
	G		776.8

* 25°C AMBIENT TEMPERATURE
 ** 10 SECONDS AT 25°C AMBIENT & 155°C COIL TEMP
 *** 25°C AMBIENT & 155°C WINDING TEMPERATURE
 **** MEASURED AT 1000 Hz.



2. A POSITIVE (+) VOLTAGE APPLIED TO THE MARKED LEAD WILL PRODUCE A FORCE ON THE COIL ASSEMBLY IN THE POSITIVE (+) DIRECTION.

1. DIMENSIONS IN BRACKETS [XX] ARE IN MILLIMETERS AND ARE FOR REFERENCE ONLY.

NOTES: UNLESS OTHERWISE SPECIFIED.



ORIGINAL

LA19-40-000A D

Proprietary rights of BEI Kinco are involved in the subject matter of this material and all manufacturing, reproduction, use, and sales pertaining to such subject matter are expressly reserved. This confidential and proprietary document is submitted for a specified purpose, and the recipient by accepting this material agrees that this material will not be used, copied, or reproduced in whole or in part nor its contents revealed in any manner or to any person except to meet the purpose for which it was delivered.		THIRD ANGLE PROJECTION		BEI KIMCO MAGNETICS DIVISION VISTA, CA 92081	
UNLESS OTHERWISE SPECIFIED: -ALL DIMENSIONS ARE IN UNITS -BREAK SHARP EDGES 1/16" MAX. -SURFACE FINISHNESS ~63 -DIMENSIONS APPLY AFTER FINISH -MAX FILLET R FILLET	DRAWN: FRENCH DATE: 02/10/99	MECH CHECK: GUERRERO DATE: 06/08/07	TITLE: LINEAR ACTUATOR	APP'D: MORCOS DATE: 02/10/99	SIZE: D FSCM NO.: 55789 DWG NO.: LA19-40-000A REV: D
TOLERANCES: DECIMALS: X ± X XX ± XX XXX ± XXX DO NOT SCALE DRAWING	FILE NO.: L\TOP\LA	SCALE: 2/1	SHEET: 1 OF 1		