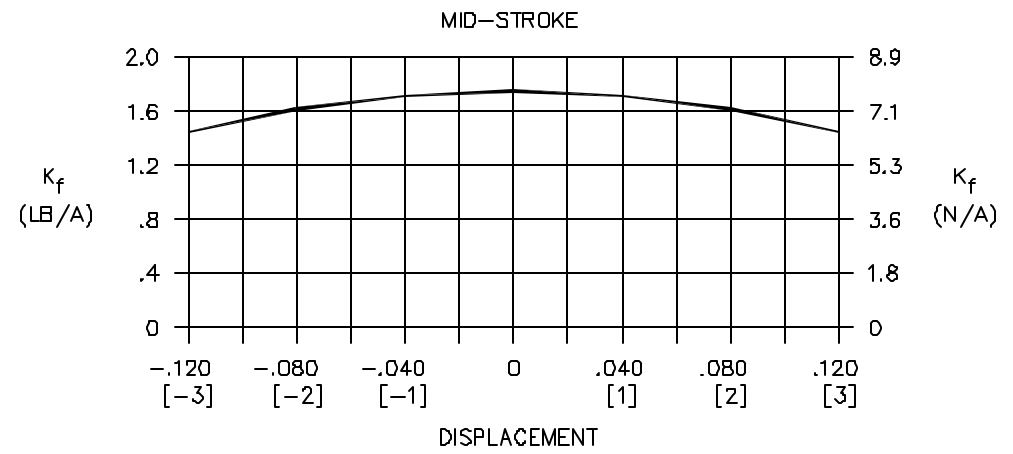


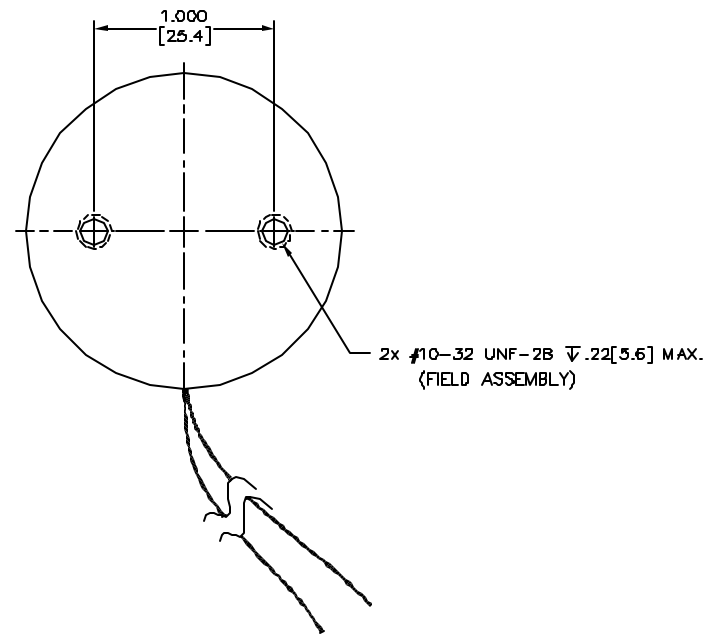
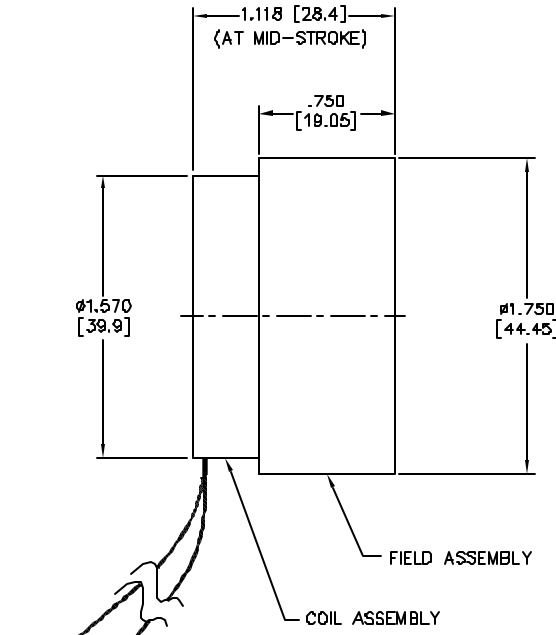
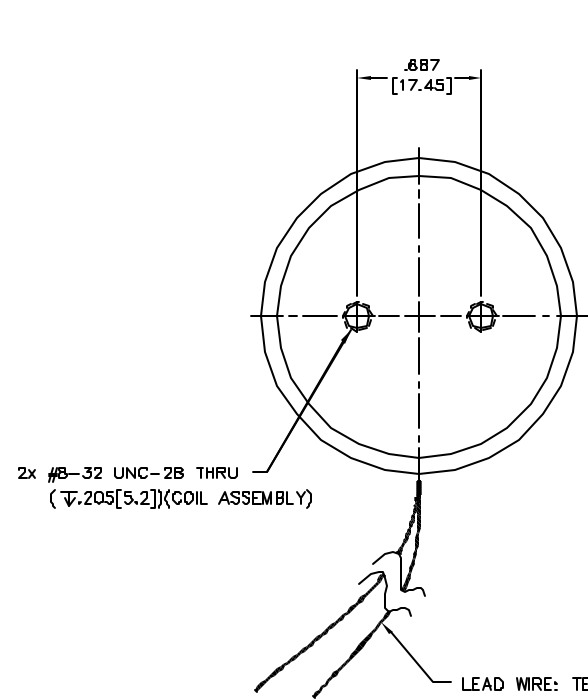
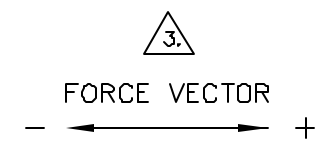
WINDING CONSTANTS *	UNITS	TOL	SYMBOL	WDG A
DC RESISTANCE	OHMS	±12.5%	R	2.6
VOLTAGE @ F _p	VOLTS	NOMINAL	V _p	14.9
CURRENT @ F _p	AMPERES	NOMINAL	I _p	5.71
FORCE SENSITIVITY	LB/AMP	±10%	K _f	1.75
	N/AMP	±10%		7.7B
BACK EMF CONSTANT	V/FT/SEC	±10%	K _B	2.37
	V/M/SEC	±10%		7.8
INDUCTANCE ****	MILLI-HENRY	±30%	L	1.00

LTR	ECO NO.	DESCRIPTION	DRW	APP'D	DATE
B	021199	UPDATE TO DUAL DI. TITLE BLOCK	M.J.L	MG	10/19/02
C	070214	CORRECT VALUE FOR ELECT. CONST., RoHS	JWT	MG	4/17/07

ACTUATOR PARAMETERS *	UNITS	SYMBOL	VALUE
PEAK FORCE **	LB	F _p	10
	N		44.5
CONTINUOUS STALL FORCE ***	LB	F _{CS}	3.4
	N		15.1
ACTUATOR CONSTANT	LB/√WATT	K _A	1.09
	N/√WATT		4.8
ELECTRICAL TIME CONSTANT	MILLI-SEC	τ _E	.385
MECHANICAL TIME CONSTANT	MILLI-SEC	τ _M	1.9
POWER I ² R @ F _p	WATTS	P _p	84.9
STROKE	± INCHES		0.120
	± MM		3.0
CLEARANCE ON EACH SIDE OF COIL	IN		0.015
	MM		0.38
THERMAL RESISTANCE OF COIL	°C/WATT	θ _{TH}	8.7
MAX. ALLOWABLE COIL TEMP.	°C	TEMP	155
WEIGHT OF COIL ASSEMBLY	LB	WT _C	1.54
	KG		43.7
WEIGHT OF FIELD ASSEMBLY	LB	WT _F	6.2
	KG		175.8



* AT MID-STROKE & 25°C AMBIENT TEMPERATURE
 ** 10 SECONDS AT 25°C AMBIENT & 155°C COIL TEMPERATURE
 *** 25°C AMBIENT & 155°C COIL TEMPERATURE
 **** MEASURED AT 1000 Hz



LEAD WIRE: TEFLON TYPE E INS.
 #22 AWG
 35.0 ± 1.0 [889 ± 25.4] LONG
 2 PL.
 (RED: START)
 (BLACK: FINISH)

3. A POSITIVE (+) VOLTAGE APPLIED TO THE RED (START) LEAD WILL PRODUCE A FORCE ON THE COIL ASSEMBLY IN THE POSITIVE (+) DIRECTION.
2. DIMENSIONS IN BRACKETS ARE MILLIMETERS [MM] AND ARE FOR REFERENCE ONLY
1. INTERPRET DIMENSIONS & TOLERANCES PER ASME Y14.5 Y14.5M-1994.

NOTES: UNLESS OTHERWISE SPECIFIED

Proprietary rights of BEI Kinco are involved in the subject matter of this material and all manufacturing, reproduction, use, and sales pertaining to such subject matter are expressly reserved. This confidential and proprietary document is submitted for a specified purpose, and the recipient by accepting this material agrees that this material will not be used, copied, or reproduced in whole or in part nor the contents revealed in any manner or to any person except to meet the purpose for which it was delivered.	THIRD ANGLE PROJECTION	BEI KIMCO MAGNETICS DIVISION VISTA, CA 92081		
	UNLESS OTHERWISE SPECIFIED: -ALL DIMENSIONS ARE IN UNITS -BREAK SHARP EDGES 3X MAX. -SURFACE FINISHNESS -6.3 -DIMENSIONS APPLY AFTER FINISH -MAX FILLET R FILET	DRAWN: R. ELLIOTT DATE: 7/28/04 MECH CHECK: J. THOMPSON DATE: 4/17/07	TITLE: LINEAR ACTUATOR	
	TOLERANCES: DECIMALS ANGULAR X ± X ANNOT. .XX ± .XX .XXX ± .XXX DO NOT SCALE DRAWING	APP'D: M. GODKIN DATE: 7/30/07 FILE NO.: LA18-12-000A	SIZE: D FSCM NO.: 55789 DWD NO.: LA18-12-000A	REV: C
		SCALE: 2/1	SHEET 1 OF 1	

LA18-12-000A C