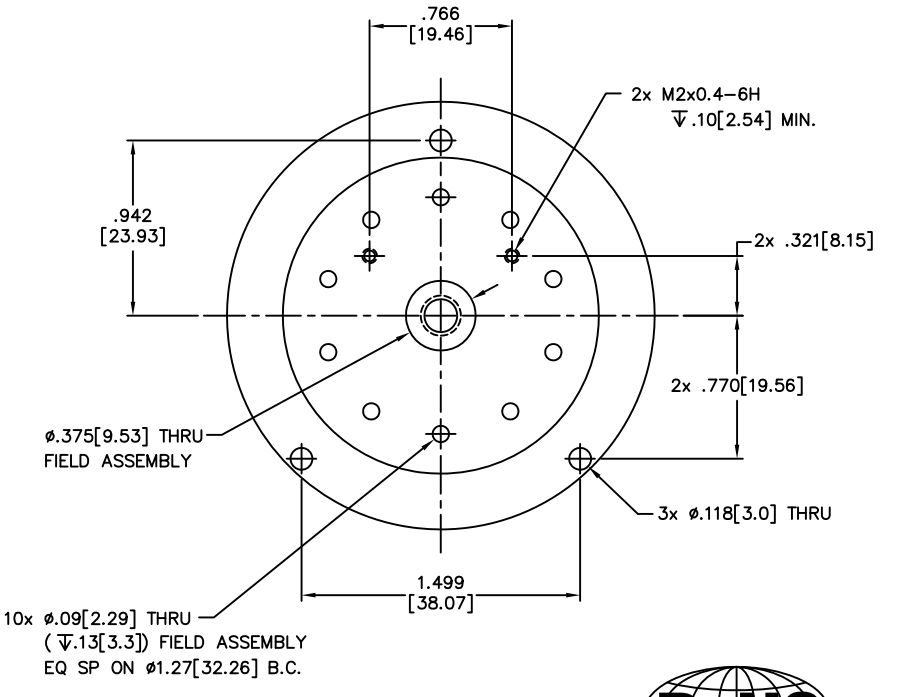
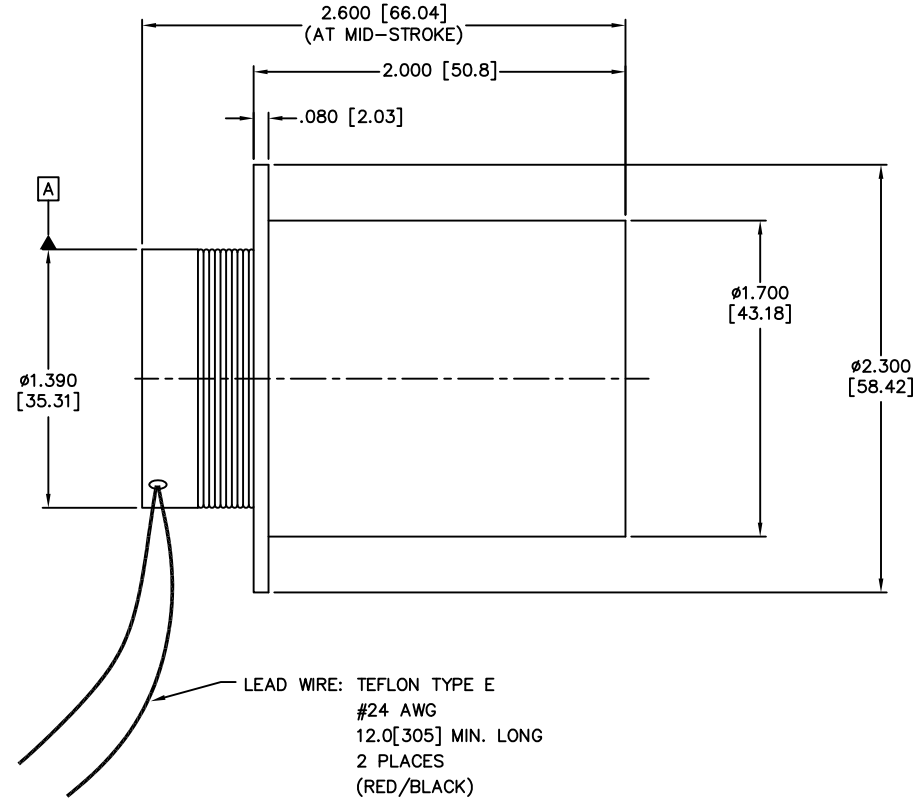
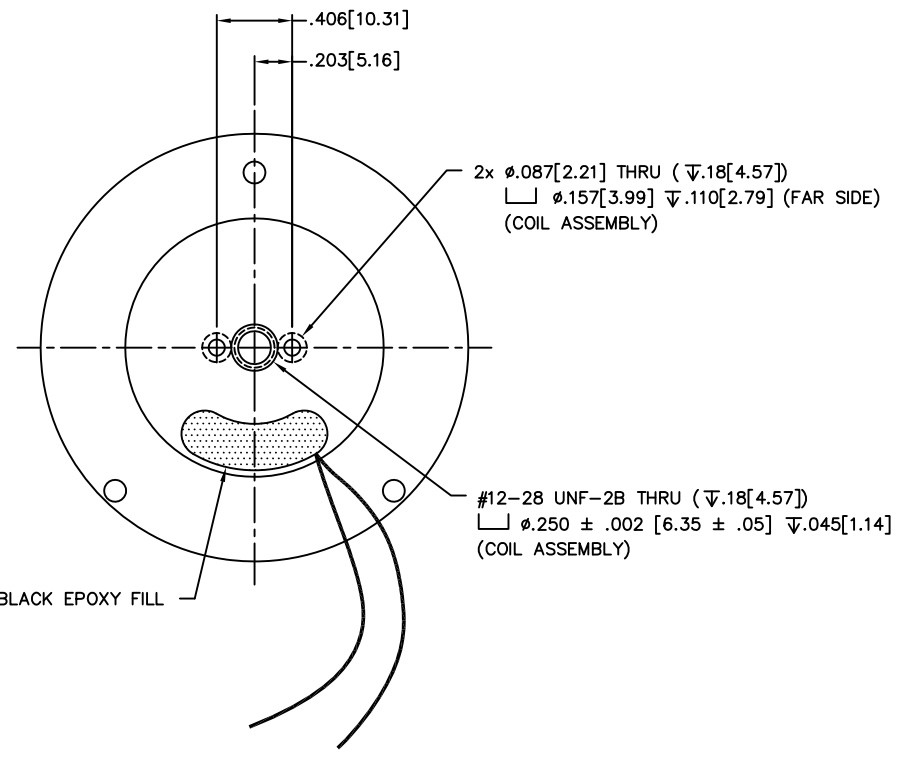
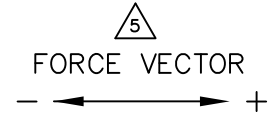
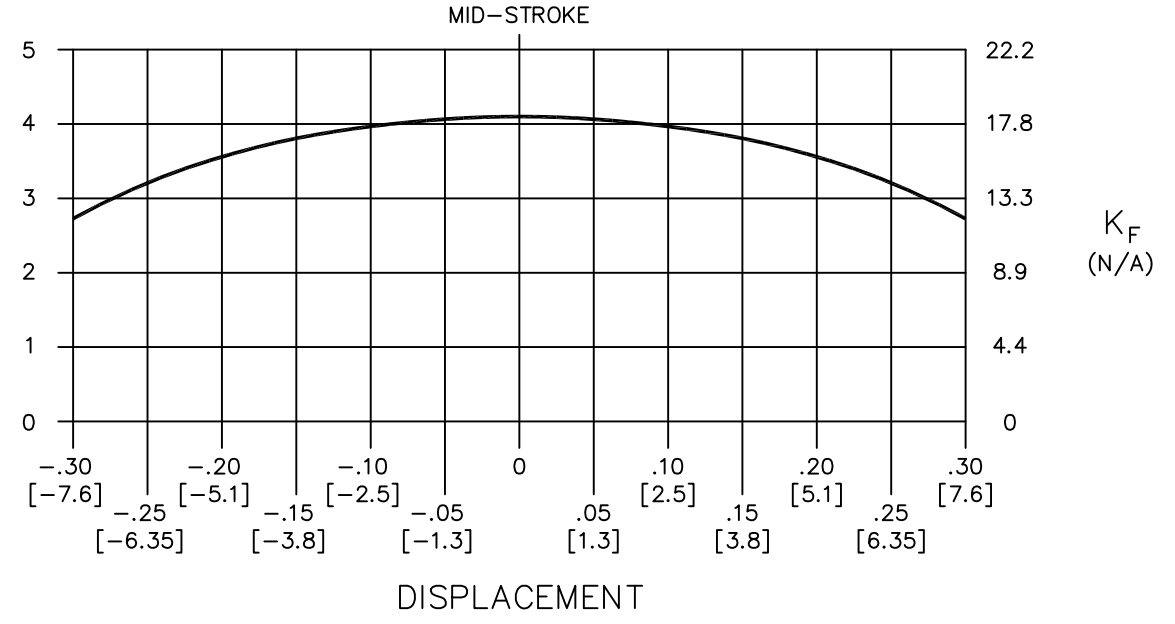


WINDING CONSTANTS *	UNITS	TOL	SYMBOL	WDG A
DC RESISTANCE	OHMS	±12.5%	R	6.7
VOLTAGE @ F <sub>P</sub>	VOLTS	NOMINAL	V <sub>P</sub>	26.8
CURRENT @ F <sub>P</sub>	AMPERES	NOMINAL	I <sub>P</sub>	4.0
FORCE SENSITIVITY	LB/AMP	±10%	K <sub>F</sub>	4.0
	N/AMP	±10%		17.8
BACK EMF CONSTANT	V/FT/SEC	±10%	K <sub>B</sub>	5.42
	V/M/SEC	±10%		17.8
INDUCTANCE ****	MILLI-HENRY	±15%	L	3.1

LTR	ECO NO.	DESCRIPTION	DRN	APP'D	DATE
E	060278	RoHS COMPLIANT	JWT	MG	4/21/06
F	060736	CHG'D INDUCTANCE & ELECT TIME CONSTANT	JWT	MG	9/25/06
G	070201	CORRECT WEIGHT PARAMETERS	JWT	MG	3/23/07

ACTUATOR PARAMETERS *	UNITS	SYMBOL	VALUE
PEAK FORCE **	LB	F <sub>P</sub>	16.0
	N		71.2
CONTINUOUS STALL FORCE ***	LB	F <sub>CS</sub>	6.4
	N		28.5
ACTUATOR CONSTANT	LB/√WATT	K <sub>A</sub>	1.55
	N/√WATT		6.9
ELECTRICAL TIME CONSTANT	MILLI-SEC	τ <sub>E</sub>	.46
MECHANICAL TIME CONSTANT	MILLI-SEC	τ <sub>M</sub>	1.7
POWER I <sup>2</sup> R @ F <sub>P</sub>	WATTS	P <sub>P</sub>	107.2
STROKE	± INCHES		0.300
	± MM		7.6
CLEARANCE ON EACH SIDE OF COIL	IN		0.015
	MM		0.38
THERMAL RESISTANCE OF COIL	°C/WATT	θ <sub>TH</sub>	5.0
MAX. ALLOWABLE COIL TEMP.	°C	TEMP	155
WEIGHT OF COIL ASSEMBLY ****	OZ	WT <sub>C</sub>	2.92
	G		82.8
WEIGHT OF FIELD ASSEMBLY	OZ	WT <sub>F</sub>	14.6
	G		413.9

\* AT MID-STROKE & 25° AMBIENT TEMPERATURE  
 \*\* 10 SECONDS AT 25° AMBIENT & 155°C COIL TEMPERATURE  
 \*\*\* 25° AMBIENT & 155°C WINDING TEMPERATURE  
 \*\*\*\* MEASURED AT 1000 Hz



- 6. MECHANICAL OVERTRAVEL IN THE POSITIVE (+) DIRECTION IS .015 [.38] MIN.
- 5. A POSITIVE (+) VOLTAGE APPLIED TO THE BLACK LEAD WILL PRODUCE A FORCE ON THE COIL ASSEMBLY IN THE POSITIVE (+) DIRECTION.
- 4. DIMENSION IN BRACKETS ARE IN MILLIMETERS [MM] AND ARE FOR REFERENCE ONLY.
- 3. ALL ABBREVIATIONS IAW MIL-STD-12.
- 2. INTERPRET DRAWING IAW MIL-STD-100.
- 1. INTERPRET DIMENSIONING AND TOLERANCING IAW ASME Y14.5M-1994.

NOTES: UNLESS OTHERWISE SPECIFIED

<small>THESE COMMODITIES, TECHNOLOGY OR SOFTWARE IF EXPORTED FROM THE UNITED STATES SHALL BE IN ACCORDANCE WITH THE EXPORT ADMINISTRATION REGULATIONS. DIVERSION CONTRARY TO U.S. LAW IS PROHIBITED.</small>					
<small>Proprietary rights of BEI Kimco are involved in the subject matter of this material and all manufacturing, reproduction, use, and sales pertaining to such subject matter are expressly reserved. This confidential and proprietary document is submitted for a specified purpose, and the recipient by accepting this material agrees that this material will not be copied, or reproduced in whole or in part nor its contents revealed in any manner or to any person except to meet the purpose for which it was delivered.</small>		<b>THIRD ANGLE PROJECTION</b> 		<b>BEI KIMCO MAGNETICS DIVISION</b> VISTA, CA 92081	
DRAWN <b>B.BUTTERFIELD</b>	DATE 04/02/96	TITLE <b>LINEAR ACTUATOR</b>			
MECH CHECK <b>A.KCOMT</b>	01/19/06				
APPD <b>A.MORCOS</b>	04/02/96	SIZE <b>D</b>	FSCM NO. 55789	DWG NO. LA17-28-000A	REV G
FILE NO. L:\TOPLEVEL\LA		SCALE NONE	SHEET 1 OF 1		