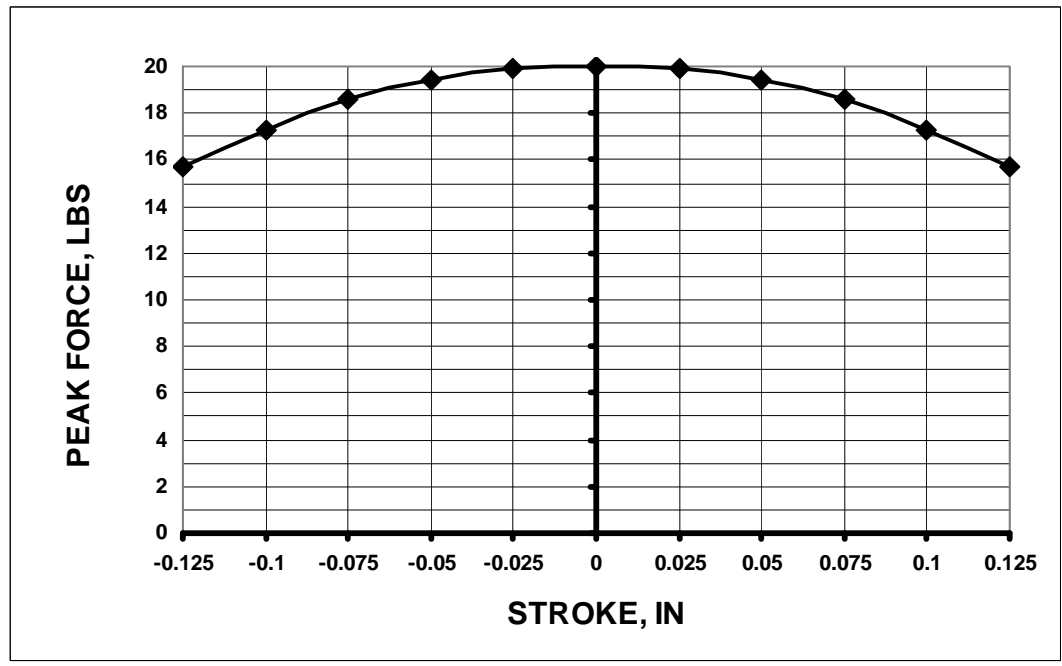


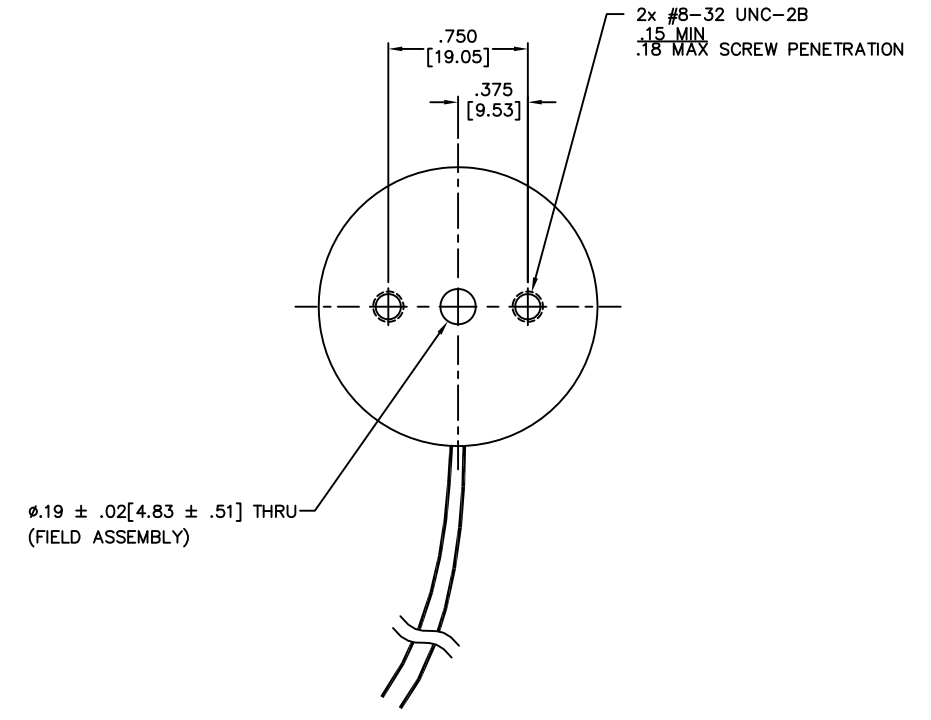
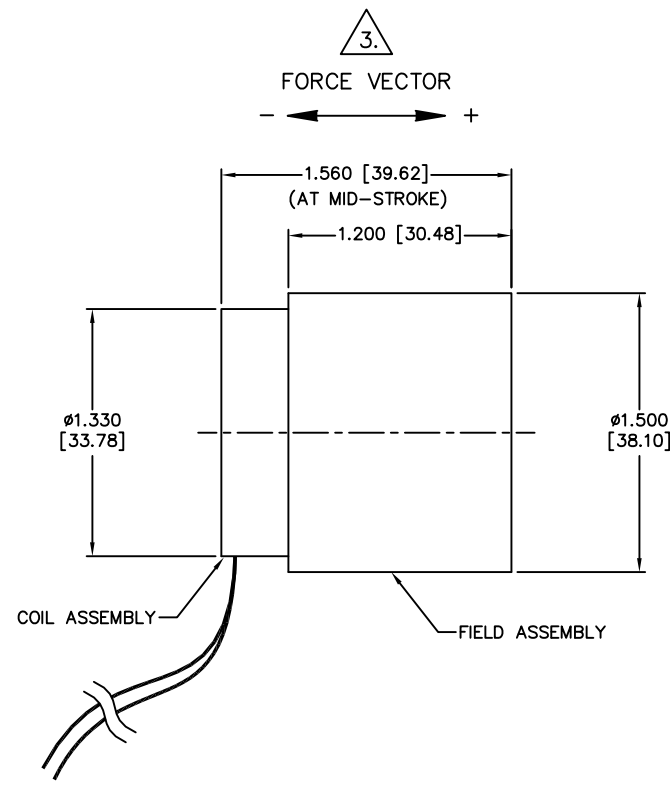
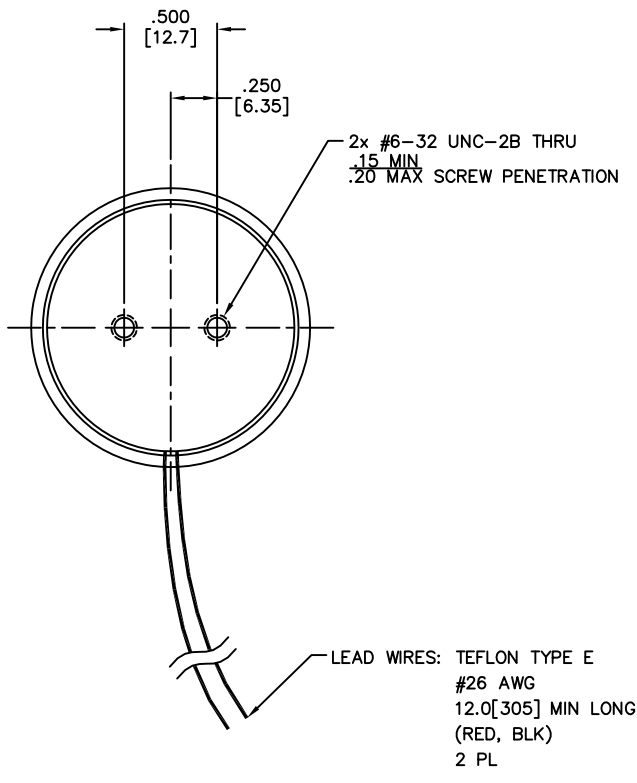
WINDING CONSTANTS *	UNITS	TOL	SYMBOL	WDG A	WDG B
DC RESISTANCE	OHMS	±12.5%	R	4.7	15.0
VOLTAGE @ F _P	VOLTS	NOMINAL	V _P	33.0	58.6
CURRENT @ F _P	AMPERES	NOMINAL	I _P	7.02	3.91
FORCE SENSITIVITY	LB/AMP	±10%	K _F	2.85	5.12
	N/AMP	±10%		12.68	22.77
BACK EMF CONSTANT	V/FT/SEC	±10%	K _B	3.86	6.94
	V/M/SEC	±10%		12.68	22.77
INDUCTANCE ****	MILLI-HENRY	±30%	L	1.25	4.05

ACTUATOR PARAMETERS *	UNITS	SYMBOL	VALUE
PEAK FORCE **	LB	F _P	20.0
	N		89.0
CONTINUOUS STALL FORCE ***	LB	F _{CS}	5.5
	N		24.47
ACTUATOR CONSTANT	LB/√WATT	K _A	1.31
	N/√WATT		5.83
ELECTRICAL TIME CONSTANT	MICRO-SEC	τ _E	270
MECHANICAL TIME CONSTANT	MILLI-SEC	τ _M	1.28
POWER I ² R @ F _P	WATTS	P _P	232
STROKE	± INCHES		0.125
	± MM		3.18
CLEARANCE ON EACH SIDE OF COIL	IN		0.018
	MM		0.46
THERMAL RESISTANCE OF COIL	°C/WATT	θ _{TH}	5.0
MAX. ALLOWABLE COIL TEMP.	°C	TEMP	155
WEIGHT OF COIL ASSEMBLY	OZ	WT _C	1.55
	G		43.94
WEIGHT OF FIELD ASSEMBLY	OZ	WT _F	6.5
	G		184.27

* 25°C AMBIENT TEMPERATURE
 ** 10 SECONDS AT 25°C AMBIENT & 155°C COIL TEMP
 *** 25°C AMBIENT & 155°C WINDING TEMPERATURE
 **** MEASURED AT 1000 Hz



LTR	ECO NO.	DESCRIPTION	DRN	APP'D	DATE
F	050248	UPDATE TOL. TO .XXX=.005"	ASK	PS	04/04/05
G	060142	ADD RoHS LOGO	SLM	MG	02/16/06
H	060901	ADDED WINDING B TO WINDING CONSTANTS	RG	MG	11/16/06



- MECHANICAL OVERTRAVEL IN THE POSITIVE (+) DIRECTION IS .015[.38] MINIMUM.
 - INSULATION RESISTANCE IS 100 MEGOHMS MINIMUM AT 500 VDC.
 - A POSITIVE (+) VOLTAGE APPLIED TO THE RED LEAD WILL PRODUCE A FORCE ON THE COIL ASSEMBLY IN THE NEGATIVE (-) DIRECTION.
 - DIMENSION IN BRACKETS ARE MILLIMETERS [MM] AND ARE FOR REFERENCE ONLY.
 - INTERPRET DIMENSIONS & TOLERANCES PER ASME Y14.5M-1994.
- NOTES: UNLESS OTHERWISE SPECIFIED

THESE COMMODITIES, TECHNOLOGY OR SOFTWARE IF EXPORTED FROM THE UNITED STATES SHALL BE IN ACCORDANCE WITH THE EXPORT ADMINISTRATION REGULATIONS. DIVERSION CONTRARY TO U.S. LAW IS PROHIBITED.

Proprietary rights of BEI Kimco are involved in the subject matter of this material and all manufacturing, reproduction, use, and sales pertaining to such subject matter are expressly reserved. This confidential and proprietary document is submitted for a specified purpose, and the recipient by accepting this material agrees that this material will not be used, copied, or reproduced in whole or in part nor its contents revealed in any manner or to any person except to meet the purpose for which it was delivered.

THIRD ANGLE PROJECTION

UNLESS OTHERWISE SPECIFIED:
 -ALL DIMENSIONS ARE IN UNITS
 -BREAK SHARP EDGES .015 MAX.
 -SURFACE ROUGHNESS √63
 -DIMENSIONS APPLY AFTER FINISH
 -MAX FILLET R .010

TOLERANCES:
 DECIMALS ANGULAR
 .X ± .03 30°-30'
 .XX ± .01
 .XXX ± .005
 DO NOT SCALE DRAWING

BEI KIMCO MAGNETICS DIVISION
 VISTA, CA 92081

DRAWN N.FRENCH DATE 05/07/97
 MECH CHECK P.STAHL 12/03/04
 APPD A.MORCOS 05/08/97

SIZE D FSCM NO. 55789 DWG NO. LA15-16-024(LTR) REV H
 SCALE 1/1 SHEET 1 OF 1

RoHS

LA15-16-024(LTR) H