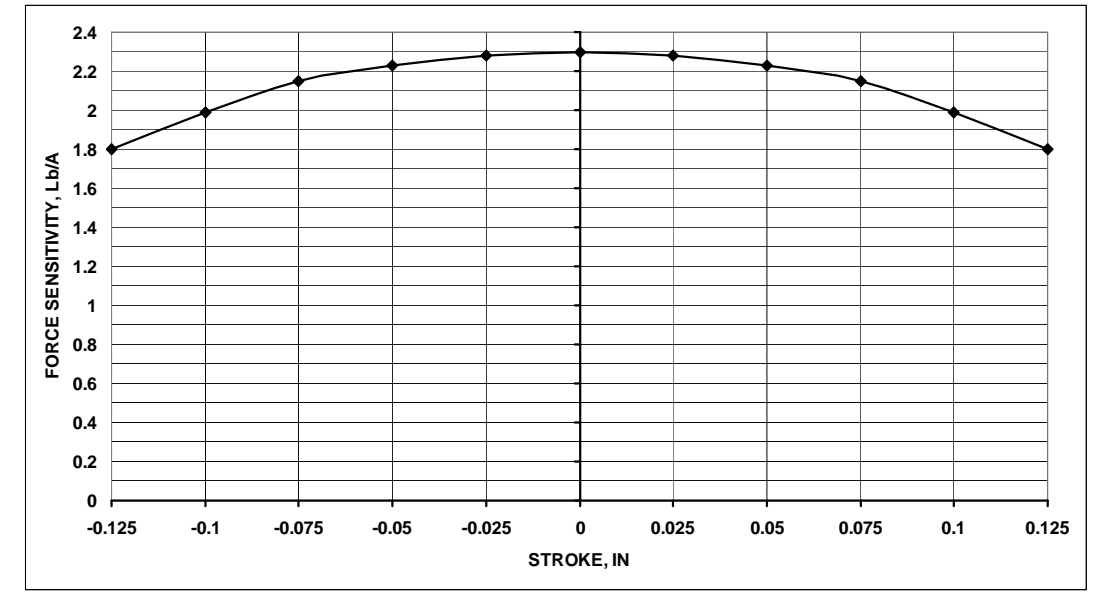
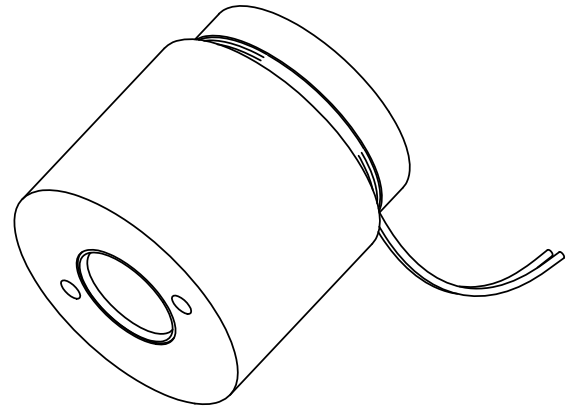


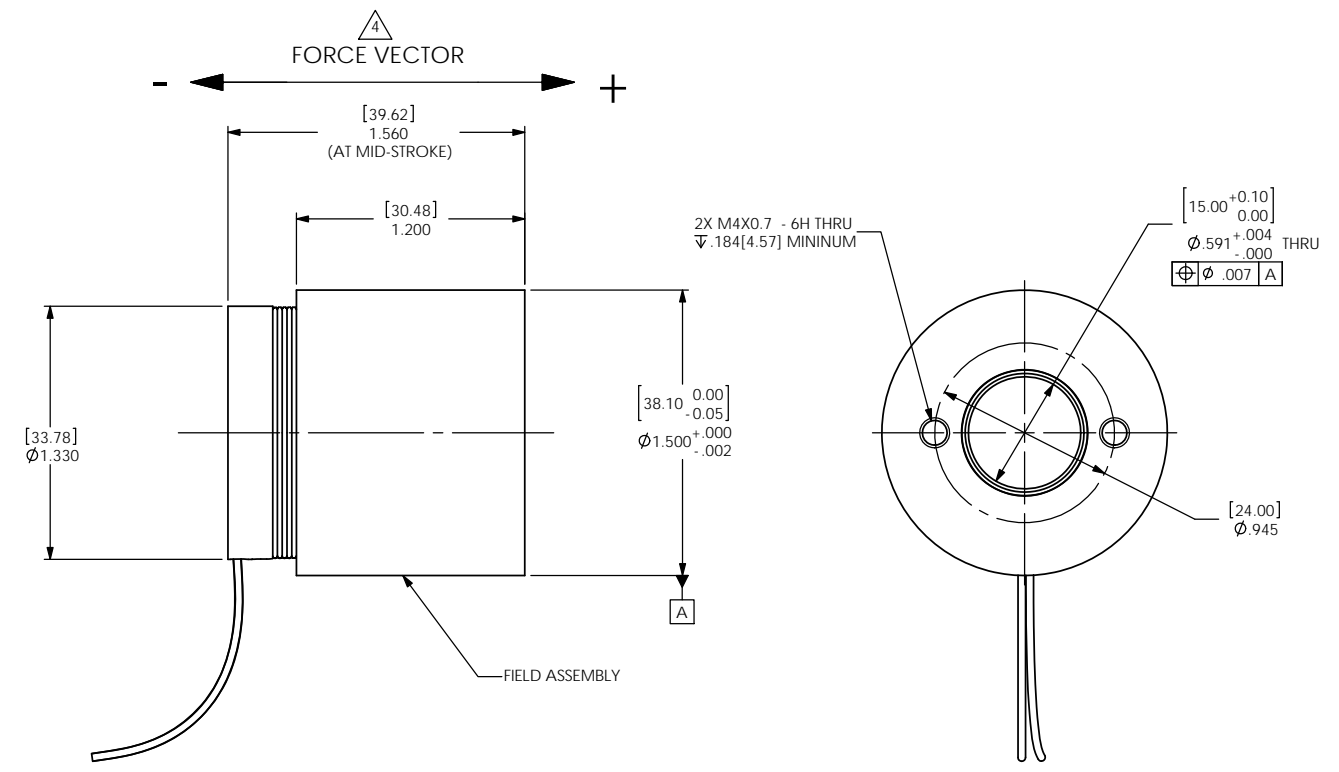
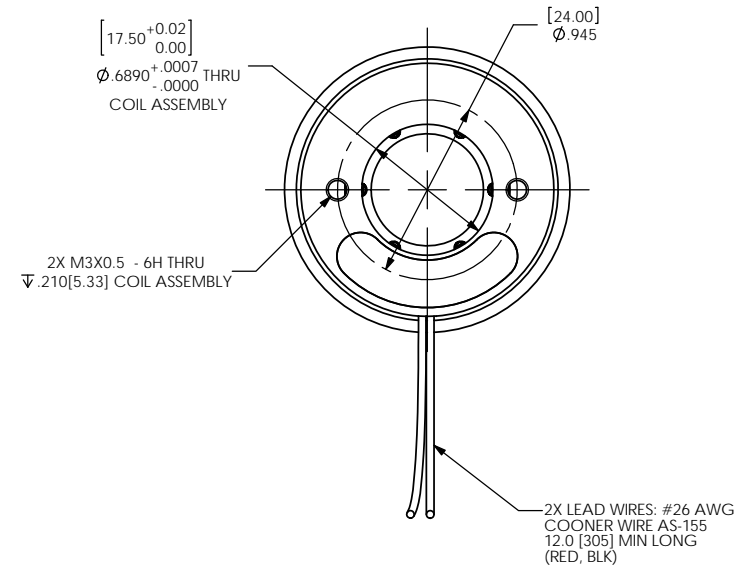
LTR	ECO NO.	DESCRIPTION	DRN	APP'D	DATE
X1	160052	INITIAL RELEASE	RG	MG	02/09/16

Winding Constants *	Units	Tol	Symbol	Wdg	A
DC Resistance	Ohms	± 12.5%	R	4.7	
Voltage @ F _P	Volts	Nominal	V _P	28.8	
Current @ F _P	Amps	Nominal	I _P	6.12	
Force Sensitivity	LB/Amp	± 10%	K _F	2.3	
	N/Amp	± 10%		10.23	
Back EMF Constant	V/(ft/sec)	± 10%	K _B	3.12	
	V/(m/sec)	± 10%		10.23	
Inductance ****	milli-Henry	± 15%	L	1.28	

Linear Actuator Parameters *	Units	Symbol	Value
Peak Force **	LB	F _P	14.08
	N		62.61
Continuos Stall Force ***	LB	F _{CS}	4.42
	N		19.66
Actuator Constant	LB/√Watt	K _M	1.06
	N/√Watt		4.72
Electrical Time Constant	micro-sec	τ _E	272
Mechanical Time Constant	milli-sec	τ _M	1.97
Power I ² R @ F _P	Watts	P _P	176
Stroke	± in		0.125
	± mm		3.18
Clearance on Each side of Coil	in		0.018
	mm		0.457
Thermal Resistance of Coil	°C/Watt	θ _{TH}	5
Maximum Allowable Coil Winding Temp	°C	Temp	155
Weight of Coil Assembly	OZ	WT _C	1.55
	G		43.9
Weight of Field Assembly	OZ	WT _T	5
	G		142



* AT MID-STROKE POSITION AND @ 25°C AMBIENT TEMPERATURE
 ** 10 SECONDS @ 25°C AMBIENT & 155°C COIL TEMPERATURE
 *** @25°C AMBIENT & 155°C COIL TEMPERATURE
 **** MEASURED AT 1000 Hz.



- MECHINAL OVERTRAVEL IN THE POSITIVE (+) DIRECTION IS .015[.38] MINIMUM.
 - A POSITIVE (+) VOLTAGE APPLIED TO THE BLACK LEAD WILL PRODUCE A FORCE ON THE COIL ASSEMBLY IN THE POSITIVE (+) DIRECTION.
 - ALL ABBREVIATIONS IAW MIL-STD-12.
 - INTERPRET DRAWING IAW MIL-STD-100.
 - INTERPRET DIM. AND TOL. IAW ASME Y14.5M-1994.
- NOTES: UNLESS OTHERWISE SPECIFIED

THESE COMMODITIES, TECHNOLOGY OR SOFTWARE IF EXPORTED FROM THE UNITED STATES SHALL BE IN ACCORDANCE WITH THE EXPORT ADMINISTRATION REGULATIONS. DIVERSION CONTRARY TO U.S. LAW IS PROHIBITED.

Proprietary rights of BEI Kimco are involved in the subject matter of this material and all manufacturing, reproduction, use, and sales pertaining to such subject matter are expressly reserved. This confidential and proprietary document is submitted for a specified purpose, and the recipient by accepting this material agrees that this material will not be used, copied, or reproduced in whole or in part nor its contents revealed in any manner or to any person except to meet the purpose for which it was delivered.

THIRD ANGLE PROJECTION

UNLESS OTHERWISE SPECIFIED:
 -ALL DIMENSIONS ARE IN INCHES
 -BREAK SHARP EDGES .015 MAX
 -SURFACE ROUGHNESS √63
 -DIMENSIONS APPLY AFTER FINISH
 -MAX FILLET R.010

TOLERANCES:
 DECIMALS ANGULAR
 .X ±0.3 ±0°30'
 .XX ±0.01 ±0°05'
 .XXX ±0.005 ±0°05'

DO NOT SCALE DRAWING

US PATENT NO. 5,345,206

BEI KIMCO MAGNETICS DIVISION
 VISTA, CA 92081

RoHS

DRAWN	GUERRERO	DATE	02/04/16	TITLE	LINEAR ACTUATOR		
MECH CHECK	McGHEE	DATE	02/08/16	SIZE	D	FSCM NO.	55789
APPD	GODKIN	DATE	02/09/16	DWG NO.	LA15-16-002A		REV
FILE NO.	L\TOP\LA\		SCALE	1/1	SHEET		1 OF 1

LA15-16-002A X1