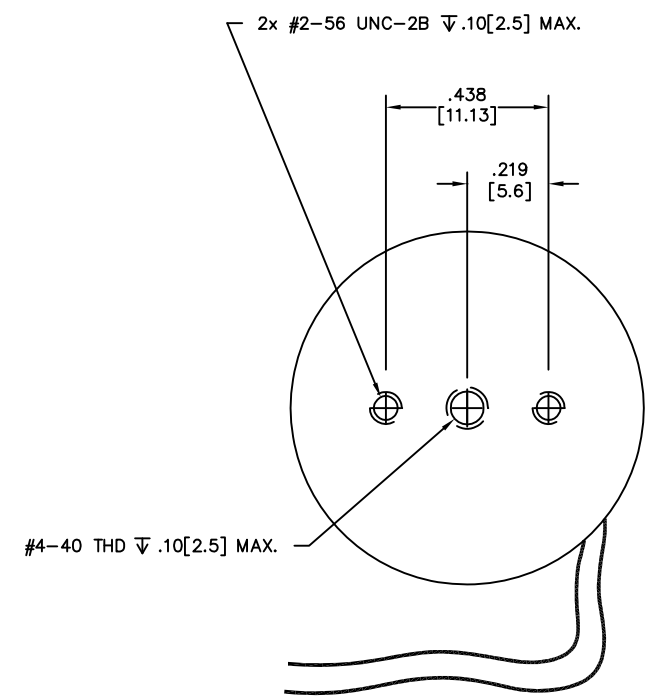
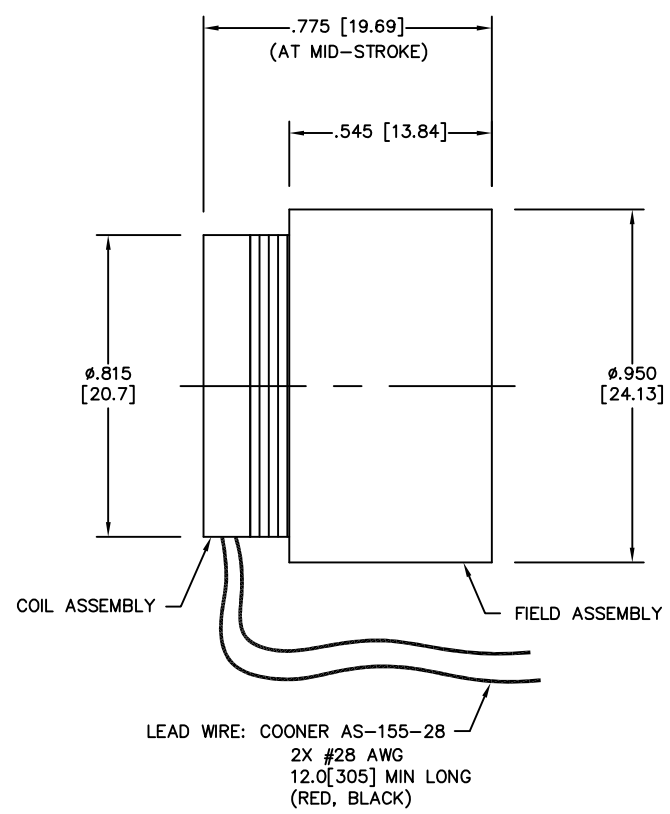
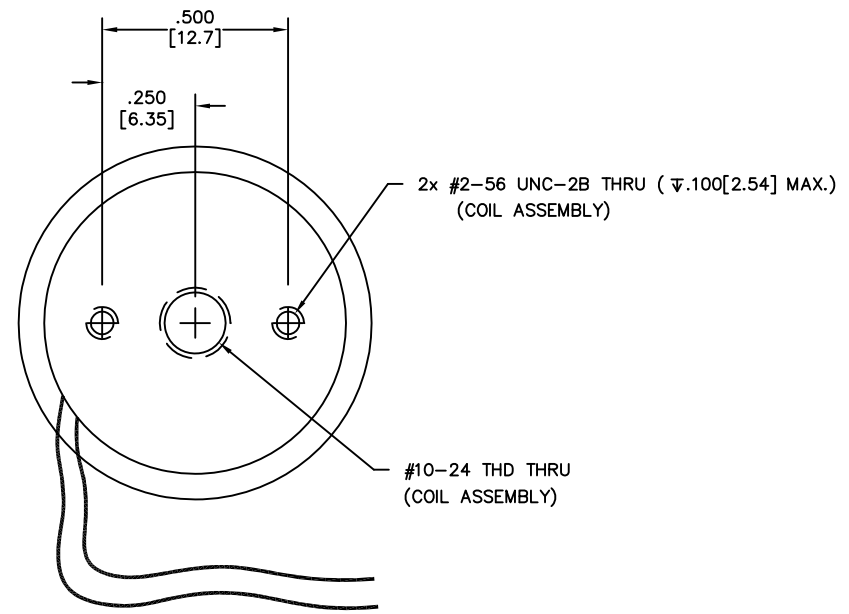
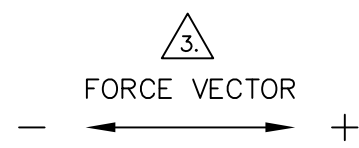
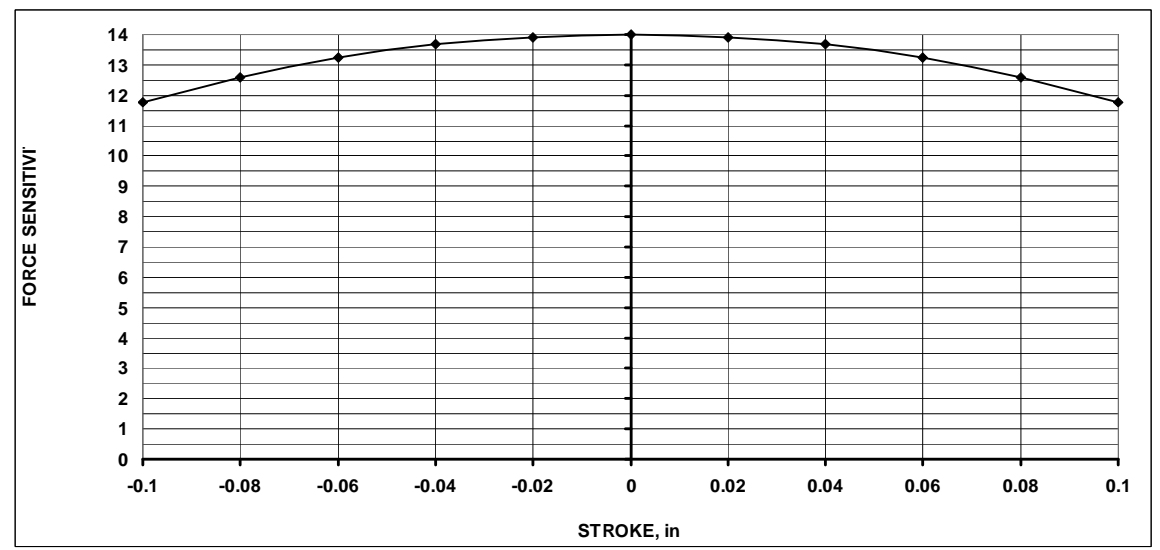


WINDING CONSTANTS *	UNITS	TOL	SYMBOL	WDG A
DC RESISTANCE	OHMS	±12.5%	R	9.9
VOLTAGE @ F _P	VOLTS	NOMINAL	V _P	17.0
CURRENT @ F _P	AMPERES	NOMINAL	I _P	1.71
FORCE SENSITIVITY	OZ/AMP	±10%	K _F	14.0
	N/AMP	±10%		3.89
BACK EMF CONSTANT	V/FT/SEC	±10%	K _B	1.19
	V/M/SEC	±10%		3.89
INDUCTANCE ****	MILLI-HENRY	±30%	L	1.18

LTR	ECO NO.	DESCRIPTION	DRN	APP'D	DATE
F	080312	INDUCTANCE NOW 1.18 MILLI-HENRY	SLM	BD	07/31/08
G	110062	ADD FORCE GRAPH, UPDATE PARAMETERS	SLM	MG	07/19/11

ACTUATOR PARAMETERS *	UNITS	SYMBOL	VALUE
PEAK FORCE **	OZ	F _P	24.0
	N		6.67
CONTINUOUS STALL FORCE ***	OZ	F _{CS}	10.5
	N		2.93
ACTUATOR CONSTANT	OZ/√WATT	K _A	4.45
	N/√WATT		1.24
ELECTRICAL TIME CONSTANT	MICRO-SEC	τ _E	119.0
MECHANICAL TIME CONSTANT	MILLI-SEC	τ _M	4.58
THEORETICAL ACCELERATION	FT/SEC ²	α _T	3126.1
	M/SEC ²		952.9
MAX THEORETICAL FREQUENCY @ FULL STROKE & SINUSOIDAL/TRIANGULAR MOTION	Hz	f _{max}	97.5/108.3
POWER I ² R @ F _P	WATTS	P _P	29.1
STROKE	± INCHES		0.100
	± MM		2.54
CLEARANCE ON EACH SIDE OF COIL	IN		0.035
	MM		0.89
THERMAL RESISTANCE OF COIL	°C/WATT	θ _{TH}	15.5
MAX. ALLOWABLE COIL TEMP.	°C	TEMP	155
WEIGHT OF COIL ASSEMBLY	OZ	WT _C	0.247
	G		7.0
WEIGHT OF FIELD ASSEMBLY	OZ	WT _F	1.16
	G		32.9

* AT MID-STROKE & 25°C AMBIENT TEMPERATURE
 ** 10 SECONDS AT 25°C AMBIENT & 155°C COIL TEMPERATURE
 *** 25°C AMBIENT & 155°C COIL TEMPERATURE
 **** MEASURED AT 1000 Hz



3. A POSITIVE (+) VOLTAGE APPLIED TO THE RED LEAD WILL PRODUCE A FORCE ON THE COIL ASSEMBLY IN THE POSITIVE (+) DIRECTION.
2. DIMENSION IN BRACKETS ARE MILLIMETERS [MM] AND ARE FOR REFERENCE ONLY.
1. INTERPRET DIMENSIONS & TOLERANCES PER ANSI Y14.5M-1994.

NOTES: UNLESS OTHERWISE SPECIFIED

<small>THESE COMMODITIES, TECHNOLOGY OR SOFTWARE IF EXPORTED FROM THE UNITED STATES SHALL BE IN ACCORDANCE WITH THE EXPORT ADMINISTRATION REGULATIONS. DIVERSION CONTRARY TO U.S. LAW IS PROHIBITED.</small>			
<small>Proprietary rights of BEI Kimco are involved in the subject matter of this material and all manufacturing, reproduction, use, and sales pertaining to such subject matter are expressly reserved. This confidential and proprietary document is submitted for a specified purpose, and the recipient by accepting this material agrees that this material will not be used, copied, or reproduced in whole or in part nor its contents revealed in any manner or to any person except to meet the purpose for which it was delivered.</small>		THIRD ANGLE PROJECTION 	
BEI KIMCO MAGNETICS DIVISION VISTA, CA 92081		DRAWN N. FRENCH	DATE 12/17/98
MECH CHECK GUERRERO		APPD A. MORCOS	DATE 06/29/05
TOLERANCES: DECIMALS .X ± .03 .XX ± .01 .XXX ± .005 DO NOT SCALE DRAWING		TITLE LINEAR ACTUATOR	SIZE D
FILE NO. L:\TOP LEVEL\LA10-08-000A		FSCM NO. 55789	DWG NO. LA10-08-000A
SCALE 4/1		REV G	
SHEET 1 OF 1			