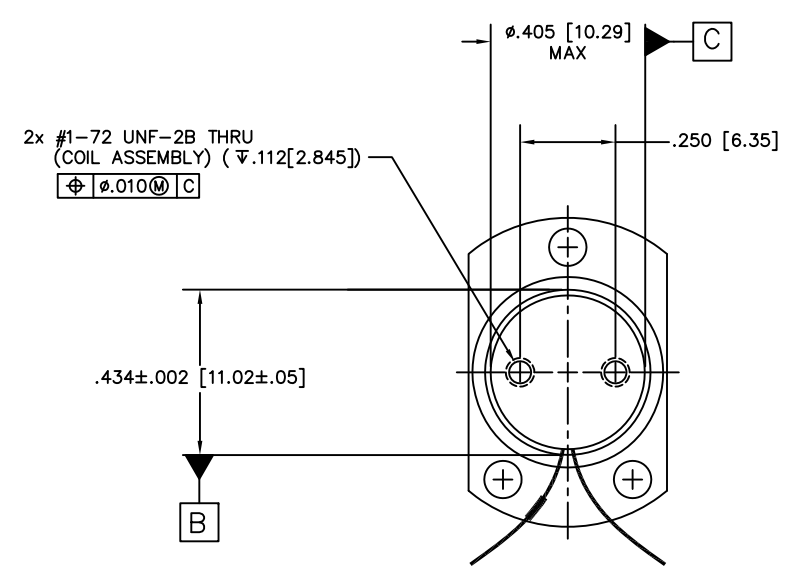
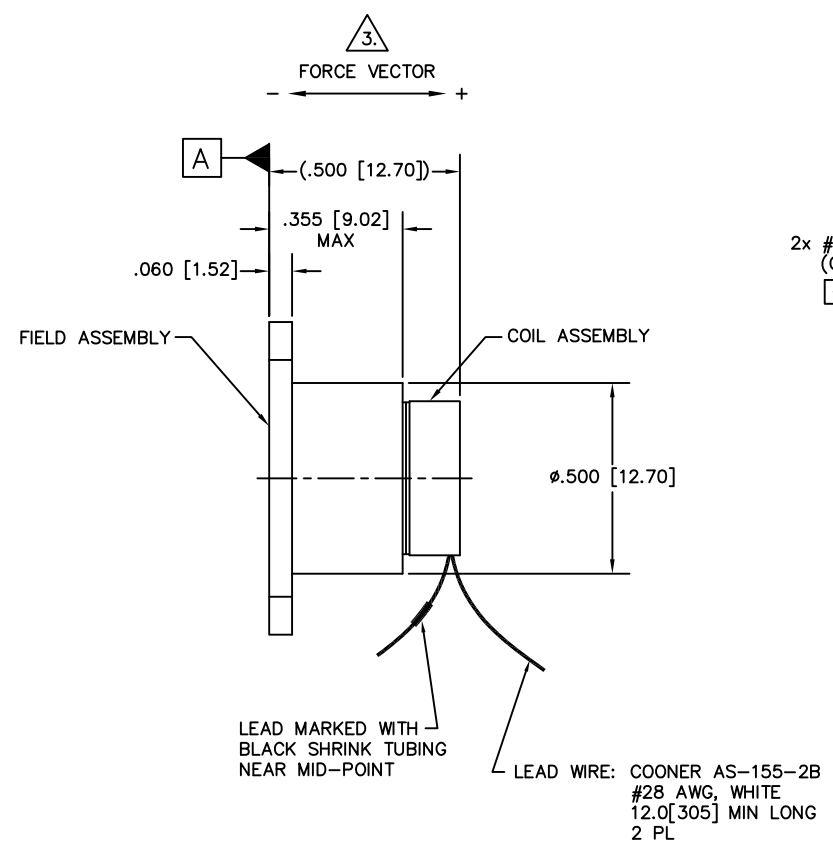
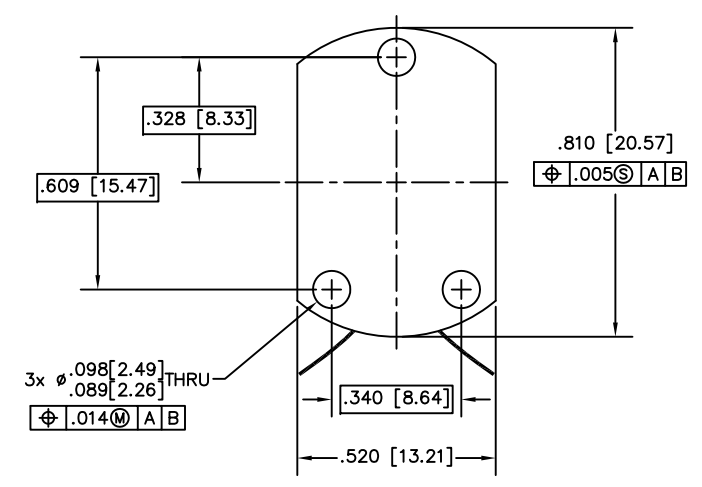


WINDING CONSTANTS *	UNITS	TOL	SYMBOL	WDG A
DC RESISTANCE	OHMS	±12.5%	R	4.0
VOLTAGE @ F _p	VOLTS	*****	V _p	4.84
CURRENT @ F _p	AMPERES	MAX.	I _p	1.21
FORCE SENSITIVITY	OZ/AMP	MIN.	K _F	2.07
	N/AMP	MIN.		
BACK EMF CONSTANT	V/FT/SEC	MIN.	K _B	0.175
	V/M/SEC	MIN.		
INDUCTANCE ****	MICRO-HENRY	±15%	L	97.0

LTR	ECO NO.	DESCRIPTION	DRN	DATE	APP'D
L	050010	MATCH REV. TO AVANTE	JJC	1/20/05	MG
M	060113	UPDATE PARAMETERS	SLM	2/16/06	MG
N	060244	ADDED Rohs LOGO	RG	03/23/06	MG

ACTUATOR PARAMETERS *	UNITS	SYMBOL	VALUE
PEAK FORCE **	OZ	F _p	2.5
	N		0.7
CONTINUOUS STALL FORCE ***	OZ	F _{CS}	1.13
	N		0.314
ACTUATOR CONSTANT *****	OZ/√WATT	K _A	1.04
	N/√WATT		0.29
ELECTRICAL TIME CONSTANT	MICRO-SEC	τ _E	24.3
MECHANICAL TIME CONSTANT *****	MILLI-SEC	τ _M	11.0
POWER I ² R @ F _p *****	WATTS	P _P	5.83 MAX
STROKE	± INCHES		0.02
	± MM		0.508
CLEARANCE ON EACH SIDE OF COIL	IN		0.015
	MM		0.381
THERMAL RESISTANCE OF COIL	°C/WATT	θ _{TH}	74
MAX. ALLOWABLE COIL TEMP.	°C	TEMP	155
WEIGHT OF COIL ASSEMBLY	OZ	WT _C	0.032 MAX.
	G		0.907 MAX.
WEIGHT OF FIELD ASSEMBLY	OZ	WT _F	0.30 MAX.
	G		8.50 MAX.

* AT MID-STROKE & 25°C AMBIENT TEMPERATURE
 ** 10 SECONDS AT 25°C AMBIENT & 155°C COIL TEMPERATURE
 *** 25°C AMBIENT & 155°C COIL TEMPERATURE
 **** MEASURED AT 1000 Hz
 ***** AT MINIMUM FORCE SENSITIVITY AND NOMINAL RESISTANCE



- A POSITIVE (+) VOLTAGE APPLIED TO THE MARKED LEAD WILL PRODUCE A FORCE ON THE COIL ASSEMBLY IN THE POSITIVE (+) DIRECTION.
- DIMENSION IN BRACKETS ARE MILLIMETERS [MM] AND ARE FOR REFERENCE ONLY.
- INTERPRET DIMENSIONS & TOLERANCES PER ASME Y14.5M-1994.

NOTES: UNLESS OTHERWISE SPECIFIED

THESE COMMODITIES, TECHNOLOGY OR SOFTWARE IF EXPORTED FROM THE UNITED STATES SHALL BE IN ACCORDANCE WITH THE EXPORT ADMINISTRATION REGULATIONS. DIVERSION CONTRARY TO U.S. LAW IS PROHIBITED.

Proprietary rights of BEI Kimco are involved in the subject matter of this material and all manufacturing, reproduction, use, and sales pertaining to such subject matter are expressly reserved. This confidential and proprietary document is submitted for a specified purpose, and the recipient by accepting this material agrees that this material will not be used, copied, or reproduced in whole or in part nor its contents revealed in any manner or to any person except to meet the purpose for which it was delivered.

THIRD ANGLE PROJECTION
 UNLESS OTHERWISE SPECIFIED:
 -ALL DIMENSIONS ARE IN UNITS
 -BREAK SHARP EDGES .015 MAX.
 -SURFACE ROUGHNESS √63
 -DIMENSIONS APPLY AFTER FINISH
 -MAX FILLET R FILLET
 TOLERANCES:
 DECIMALS ANGULAR
 .X ± .02 20°-30°
 .XX ± .01
 .XXX ± .005
 DO NOT SCALE DRAWING

DRAWN R. ELLIOTT		DATE 7/12/90		TITLE LINEAR ACTUATOR	
MECH CHECK P. STAHL		DATE 1/20/05		REV N	
APPD HA PHAM		DATE 7/12/90		SIZE D	
FILE NO. 4/1		FSCM NO. 55789		DWG NO. LA05-05-000A	
SCALE 1/1		SHEET 1 OF 1			



LA05-05-000A N