

4

3

2

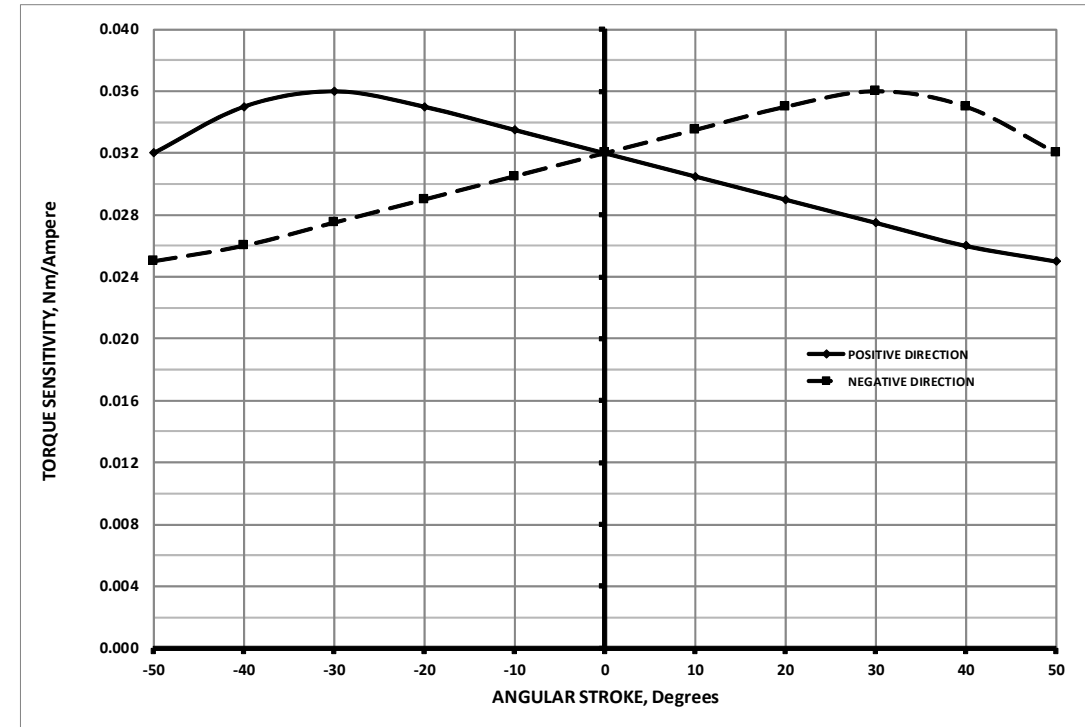
RA27-10-000A

X1

1

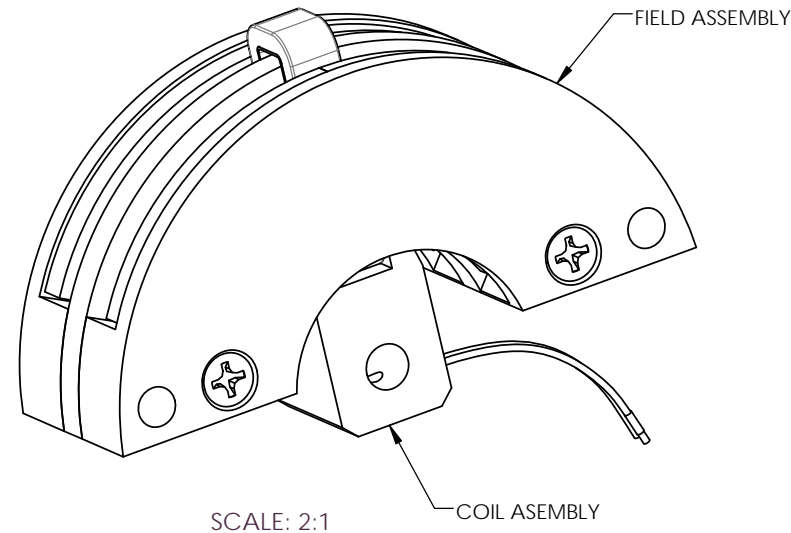
LTR	ECO NO.	DESCRIPTION	DRN	APP'D	DATE
X1	170086	INITIAL RELEASE	RG	MG	03/23/17

Winding Constants *	Units	Tol	Symbol	Wdg	A
DC Resistance	Ohms	+ 12.5%	R	3.3	
Voltage @ T _{PS}	Volts	Nominal	V _{PS}	11.2	
Current @ T _{PS}	Amps	Nominal	I _{PS}	3.4	
Current @ T _{CS}	Amps	Nominal	I _{CS}	0.94	
Force Sensitivity @ T _{PS}	N.m/Amp	+ 10%	K _{T_{PS}}	0.031	
	oz.in/Amp	+ 10%		4.39	
Force Sensitivity @ No-Load	N.m/Amp	+ 10%	K _{T_{NL}}	0.031	
	oz.in/Amp	+ 10%		4.39	
Back EMF Constant	V/(rad/sec)	+ 10%	K _B	0.031	
Inductance ****	mH	+ 15%	L	1.6	



Rotary Actuator Parameters *	Units	Symbol	Value
Peak Stall Torque**	N.m	T _{PS}	0.106
	oz.in		15
Continuous Stall Torque ***	N.m	T _{CS}	0.029
	oz.in		4.09
Actuator Constant	N.m/√Watt	K _A	0.017
	oz.in/√Watt		2.39
Electrical Time Constant	ms	τ _E	0.48
Mechanical Time Constant	ms	τ _M	14
Theoretical Acceleration	rad/s ²	α _T	26,044
Max Theoretical Frequency @ Full Stroke and Sinusoidal / Triangular Motion	Hz	f _{max}	27.5/30.53
Power I ² R @ T _{PS}	Watts	P _{PS}	38.1
Angular Stroke	± degrees	S _A	50
Clearance on Each Side of Coil	mm	D _C	0.38
	in		0.015
Moving Coil Assembly Inertia	kg.m ²	J _{CA}	4.09 x 10 ⁻⁶
	oz.in.s ²		0.000579
Thermal Resistance	°C/Watt	Θ _{TH}	30
Maximum Allowable Winding Temp	°C	T _W	155
Mass, Total	kg	M _T	0.19
	oz		6.7

DISCLAIMERS
 * AT MID-STROKE & 25°C AMBIENT TEMPERATURE
 ** 10 SEC @ 25°C AMBIENT & 155°C WINDING TEMPERATURE
 *** AT 25°C AMBIENT & 155°C WINDING TEMPERATURE
 **** MEASURED AT 1000 Hz



METRIC DRAWING



THESE COMMODITIES, TECHNOLOGY OR SOFTWARE IF EXPORTED FROM THE UNITED STATES SHALL BE IN ACCORDANCE WITH THE EXPORT ADMINISTRATION REGULATIONS. DIVERSION CONTRARY TO U.S. LAW IS PROHIBITED

Proprietary rights of BEI Kimco are involved in the subject matter of this material and all manufacturing, reproduction, use, and sales pertaining to such subject matter are expressly reserved. This confidential and proprietary document is submitted for a specified purpose, and the recipient by accepting this material agrees that this material will not be used, copied, or reproduced in whole or in part nor its contents revealed in any manner or to any person except to meet the purpose for which it was delivered.

THIRD ANGLE PROJECTION



UNLESS OTHERWISE SPECIFIED:
 -ALL DIMENSIONS ARE IN MM
 -BREAK SHARP EDGES 0.4 MAX
 -SURFACE ROUGHNESS √1.6
 -DIMENSIONS APPLY AFTER FINISH
 -MAX FILLET R0.4

MILLIMETER TOLERANCES:
 DECIMALS ANGULAR
 X ±0.8 ±0°30'
 0.X ±0.25
 0.XX ±0.13
 DO NOT SCALE DRAWING



DRAWN GUERRERO	DATE 03/22/17	TITLE ROTARY ACTUATOR	
CHECK MCGHEE	03/23/17	SIZE C	FSCM NO. 55789
APPD GODKIN	03/23/17	DWG NO. RA27-10-000A	REV X1
FILE NO. L\TOP LEVEL\RA\	SCALE: NONE	EWIF-015-02 REV. A	SHEET: 1 OF 2

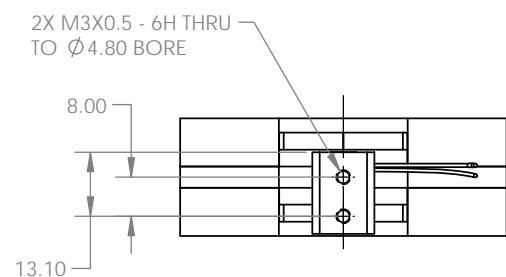
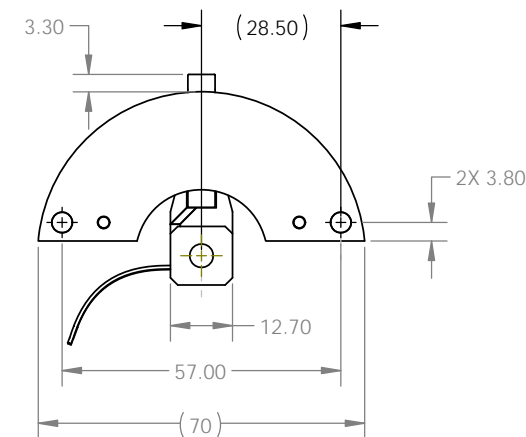
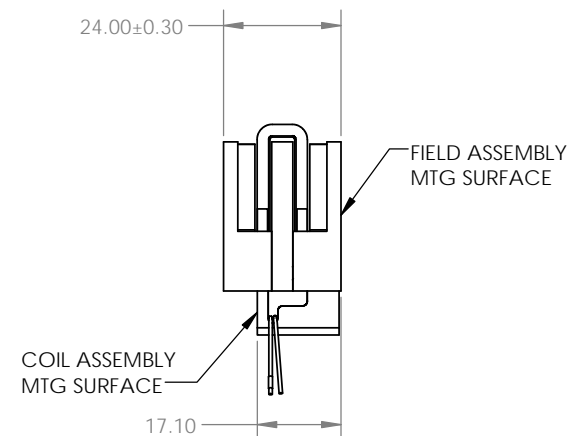
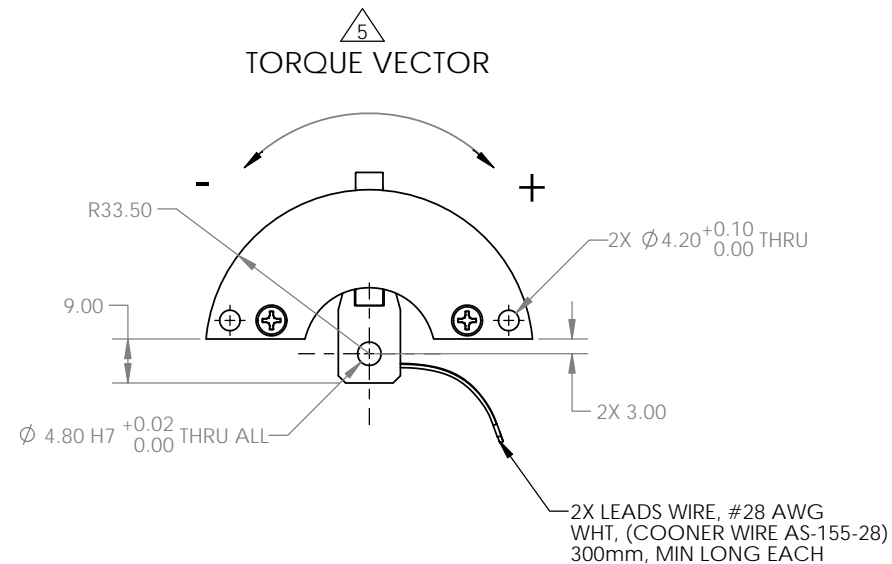
4

3

2

1

REVISION HISTORY
SEE PAGE 1



NOTES: UNLESS OTHERWISE SPECIFIED

1. INTERPRET DIMENSIONING AND TOLERANCING IAW ASME Y14.5M-1994.
2. INTERPRET DRAWING IAW ASME Y14.100.
3. ALL ABBREVIATIONS IAW ASME Y14.38.
4. METRIC DRAWING, DIMENSIONS IN BRACKETS [] ARE IN INCHES AND ARE FOR REFERENCE ONLY.
5. A POSITIVE VOLTAGE (+) APPLIED TO THE MARKED LEAD WILL PRODUCE A FORCE ON THE COIL ASSEMBLY IN THE POSITIVE (+) DIRECTION

METRIC DRAWING

THESE COMMODITIES, TECHNOLOGY OR SOFTWARE IF EXPORTED FROM THE UNITED STATES SHALL BE IN ACCORDANCE WITH THE EXPORT ADMINISTRATION REGULATIONS. DIVERSION CONTRARY TO U.S. LAW IS PROHIBITED



THIRD ANGLE PROJECTION	SIZE	FSCM NO.	DWG NO.	REV
	C	55789	RA27-10-000A	X1
FILE NO: L\TOP LEVEL\RA\	SCALE: NONE	EWIF-013-02 REV. A	SHEET: 2 OF 2	