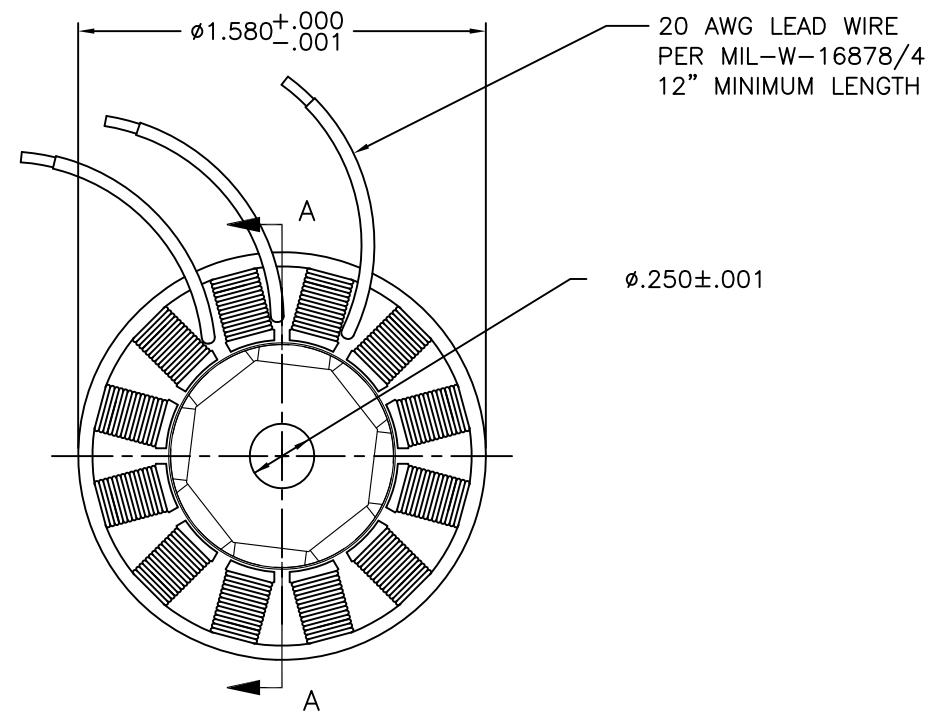


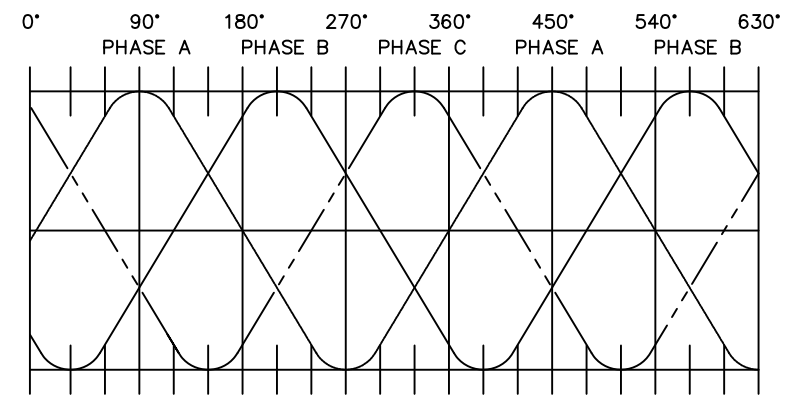
WINDING CONSTANTS*	UNITS	TOL	SYM	WDC A
DC RESISTANCE	OHMS	±12.5%	R	0.544
VOLTAGE @ PEAK TORQUE	VOLTS	NOMINAL	Vp	3.20
CURRENT @ PEAK TORQUE	AMPERES	NOMINAL	Ip	5.88
TORQUE SENSITIVITY	OZ-IN/AMP	±10%	Kt	3.40
BACK EMF CONSTANT	VOLTS/(RAD/SEC)	±10%	Kb	0.024
INDUCTANCE	MILLIHENRY	±30%	L	0.26

MOTOR PARAMETERS*	UNITS	SYM	VALUE
PEAK TORQUE	OZ-IN	Tp	20.0
CONTINUOUS STALL TORQUE **	OZ-IN	Tcs	14.7
MOTOR CONSTANT	OZ-IN/ $\sqrt{\text{WATT}}$	Km	4.61
ELECTRICAL TIME CONSTANT	MILLISECOND	Te	0.48
MECHANICAL TIME CONSTANT	MILLISECOND	Tm	18.3
POWER I ² R @ Tp	WATTS	Pp	18.8
DAMPING FACTOR (ZERO IMPEDANCE)	OZ-IN/(RAD/SEC)	Fo	0.15
ROTOR INERTIA	OZ-IN SEC ²	Jm	2.74x10 ⁻³
THEO. NO-LOAD SPEED @ 24 VDC	RPM	So	9551
SPEED @ 13.8 OZ-IN & 24 VDC	RPM	Sl	7222
THEO. ACCELERATION @ Tp	RAD/SEC ²	αT	7.3x10 ³
THERMAL RESISTANCE	°C/WATT	θ_{TH}	8.5
MAX ALLOWABLE WINDING TEMP	°C	TEMP	155
PHASES/WINDING TYPE			3/Y
POLES			8
WEIGHT	OZ	Wt	TBD

* 25°C AMBIENT TEMP
 ** 25°C AMBIENT, 155° WINDING TEMP

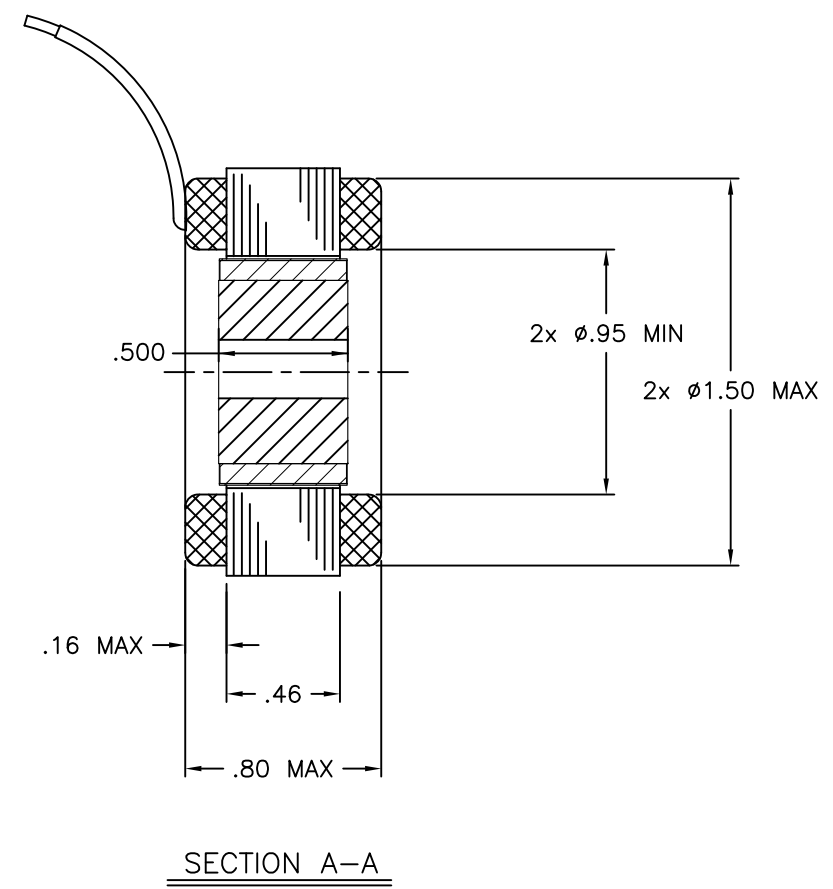
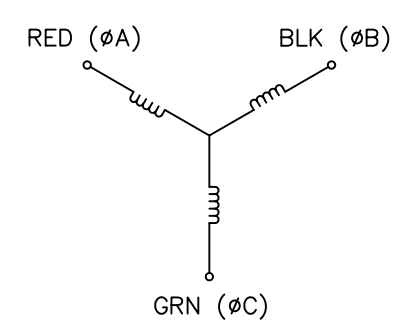


DIRECTION OF ROTATION
 CW VIEWED FROM LEAD SIDE



3. ALL ABBREVIATIONS IAW ASME Y14.38.
 2. INTERPRET DRAWING IAW ASME Y14.100.
 1. INTERPRET DIMENSIONING AND TOLERANCING IAW ASME Y14.5M-1994.
- NOTES: UNLESS OTHERWISE SPECIFIED

LTR	ECO NO.	DESCRIPTION	DRN	APP'D	DATE
X1	110XXX	INITIAL RELEASE	JWT		



THESE COMMODITIES, TECHNOLOGY OR SOFTWARE IF EXPORTED FROM THE UNITED STATES SHALL BE IN ACCORDANCE WITH THE EXPORT ADMINISTRATION REGULATIONS. DIVERSION CONTRARY TO U.S. LAW IS PROHIBITED.

Proprietary rights of BEI Kimco are involved in the subject matter of this material and all manufacturing, reproduction, use, and sales pertaining to such subject matter are expressly reserved. This confidential and proprietary document is submitted for a specified purpose, and the recipient by accepting this material agrees that this material will not be used, copied, or reproduced in whole or in part nor its contents revealed in any manner or to any person except to meet the purpose for which it was delivered.

THIRD ANGLE PROJECTION	
UNLESS OTHERWISE SPECIFIED: -ALL DIMENSIONS ARE IN INCHES -BREAK SHARP EDGES .015 MAX. -SURFACE ROUGHNESS $\sqrt{63}$ -DIMENSIONS APPLY AFTER FINISH -MAX FILLET R .010	
TOLERANCES:	ANGULAR
DECIMALS	±0° 30'
.X ± .03	
.XX ± .01	
.XXX ± .005	
DO NOT SCALE DRAWING	

BEI KIMCO MAGNETICS DIVISION
 VISTA, CA 92081

DRAWN J. THOMPSON	DATE 08/05/11	TITLE BRUSHLESS DC MOTOR
MECH CHECK		
APPD		
FILE NO. M:\TOP\DIP\DIP16-08-008Z	SIZE C	FSCM NO. 55789
	DWG NO. DIP16-08-008A	REV X1
SCALE 2/1	SHEET 1 OF 1	

DIP16-08-008A X1