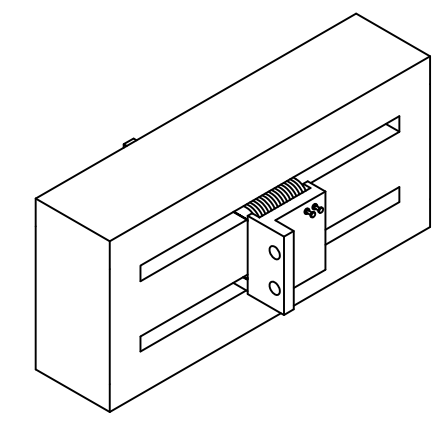
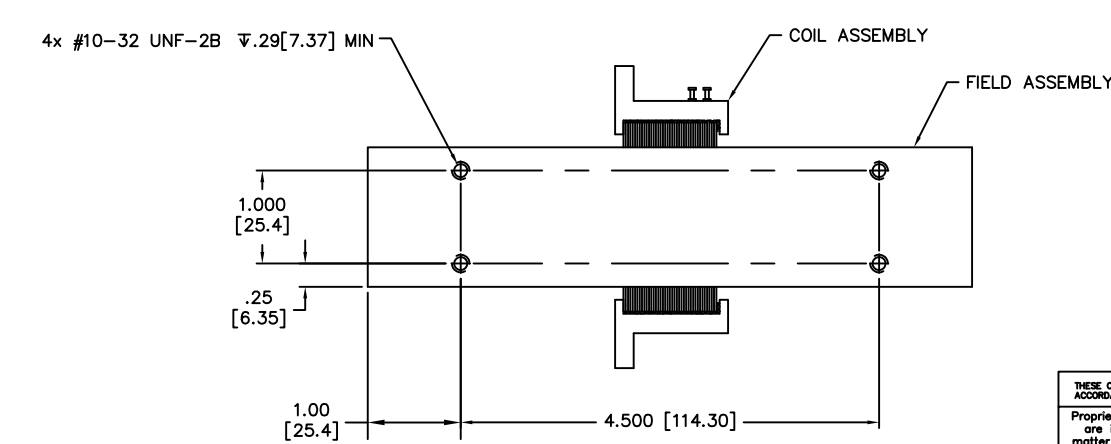
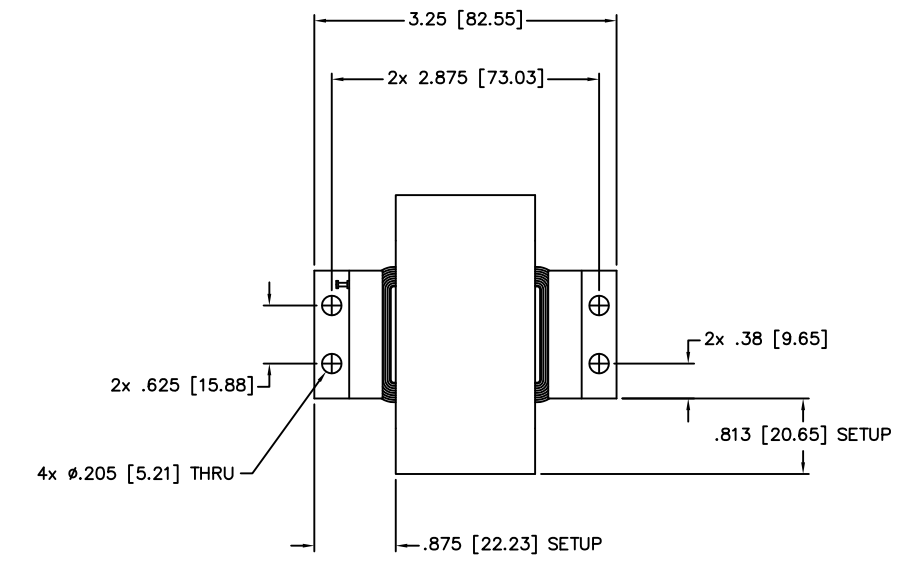
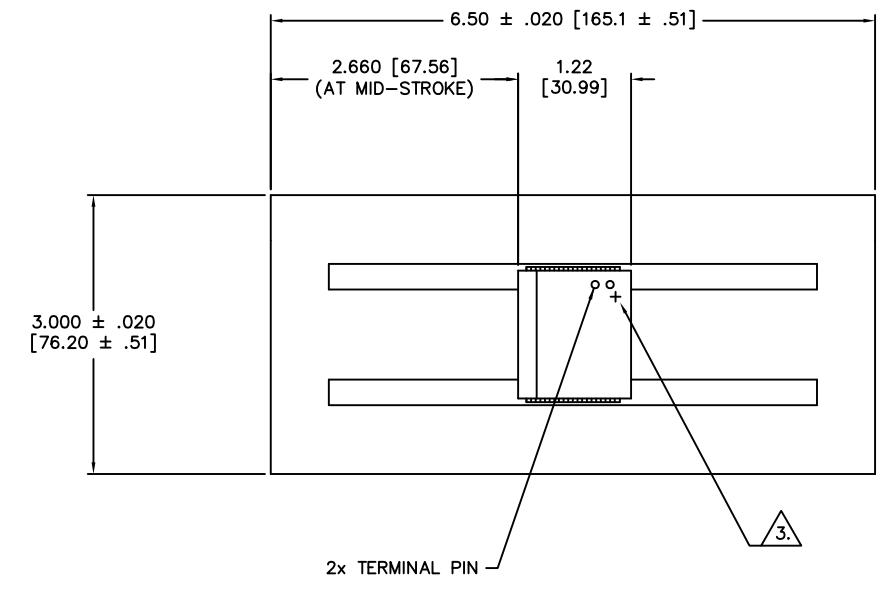
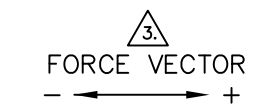
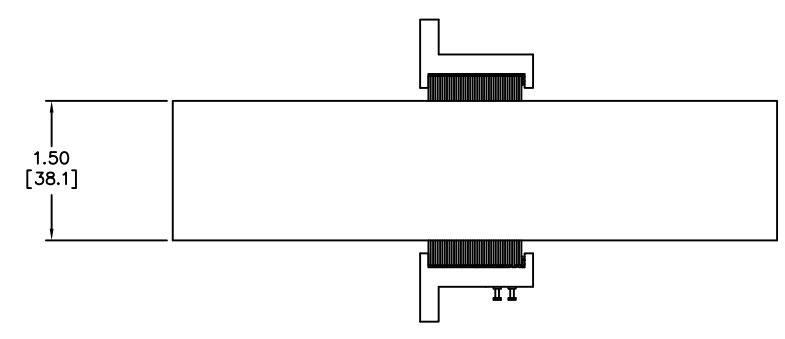


LTR	ECO NO.	DESCRIPTION	DRN	APP'D	DATE
F	070069	ADDED RoHS LOGO	RG	MG	02/07/07
G	070212	CHG'D UNITS FOR ELECT. CONST. FROM MICRO-SEC	JWT	MG	4/17/07

WINDING CONSTANTS *	UNITS	TOL	SYMBOL	A
DC RESISTANCE	OHMS	±12.5%	R	5.4
VOLTAGE @ F _p	VOLTS	NOMINAL	V _p	38.6
CURRENT @ F _p	AMPERES	NOMINAL	I _p	7.14
FORCE SENSITIVITY	LB/AMP	±10%	K _F	2.1
	N/AMP	±10%		
BACK EMF CONSTANT	V/FT/SEC	±10%	K _B	2.85
	V/M/SEC	±10%		
INDUCTANCE *****	MILLI-HENRY	±30%	L	11.2

ACTUATOR PARAMETERS *	UNITS	SYMBOL	VALUE
PEAK FORCE **	LB	F _p	15.0
	N		
CONTINUOUS STALL FORCE ***	LB	T _{cs}	4.25
	N		
ACTUATOR CONSTANT	LB/√WATT	K _A	0.90
	N/√WATT		
ELECTRICAL TIME CONSTANT	MILLI-SEC	τ _E	2.07
MECHANICAL TIME CONSTANT	MILLI-SEC	τ _M	5.2
POWER I ² R @ F _p	WATTS	P _p	276
STROKE	± INCHES		2.00
	± MM		
CLEARANCE ON EACH SIDE OF COIL	IN		0.015
	MM		
THERMAL RESISTANCE OF COIL	°C/WATT	θ _{TH}	3.9
MAX. ALLOWABLE COIL TEMP.	°C	TEMP	155
WEIGHT OF COIL ASSEMBLY	LB	WT _C	0.185
	G		
WEIGHT OF FIELD ASSEMBLY	LB	WT _F	7.2
	KG		

* AT MID-STROKE & 25°C AMBIENT TEMPERATURE
 ** 10 SECONDS AT 25°C AMBIENT & 155°C COIL TEMPERATURE
 *** 25°C AMBIENT & 155°C COIL TEMPERATURE
 **** MEASURED AT 1000 Hz



3. A POSITIVE (+) VOLTAGE APPLIED TO THE TERMINAL MARKED "+" WILL PRODUCE A FORCE ON THE COIL ASSEMBLY IN THE POSITIVE (+) DIRECTION.

- DIMENSION IN BRACKETS ARE METRIC [mm] AND ARE FOR REFERENCE ONLY.
- INTERPRET DIMENSIONS & TOLERANCES IAW ASME Y14.5M-1994.

NOTES: UNLESS OTHERWISE SPECIFIED

THESE COMMODITIES, TECHNOLOGY OR SOFTWARE IF EXPORTED FROM THE UNITED STATES SHALL BE IN ACCORDANCE WITH THE EXPORT ADMINISTRATION REGULATIONS. DIVERSION CONTRARY TO U.S. LAW IS PROHIBITED.

Proprietary rights of BEI Kimco are involved in the subject matter of this material and all manufacturing, reproduction, use, and sales pertaining to such subject matter are expressly reserved. This confidential and proprietary document is submitted for a specified purpose, and the recipient by accepting this material agrees that this material will not be used, copied, or reproduced in whole or in part nor its contents revealed in any manner or to any person except to meet the purpose for which it was delivered.

THIRD ANGLE PROJECTION

UNLESS OTHERWISE SPECIFIED:
 -ALL DIMENSIONS ARE IN UNITS
 -BREAK SHARP EDGES .015 MAX.
 -SURFACE ROUGHNESS √63
 -DIMENSIONS APPLY AFTER FINISH
 -MAX FILLET R FILLET

TOLERANCES:
 DECIMALS ANGULAR
 .X ± .03 30°
 .XX ± .01
 .XXX ± .005
 DO NOT SCALE DRAWING

DRAWN FRENCH		DATE 02/18/99		TITLE	
MECH CHECK GUERRERO		07/11/06		LINEAR ACTUATOR	
APPD GODKIN	02/22/99	SIZE D	FSCM NO. 55789	DWG NO. LA15-65-000A	REV G
FILE NO. L:\TOP LEVEL\LA\...	SCALE 1/1	SHEET 1 OF 1			



BEI KIMCO MAGNETICS DIVISION
 VISTA, CA 92081

LA15-65-000A G